

isc Silicon NPN Power Transistor

2SC3885

DESCRIPTION

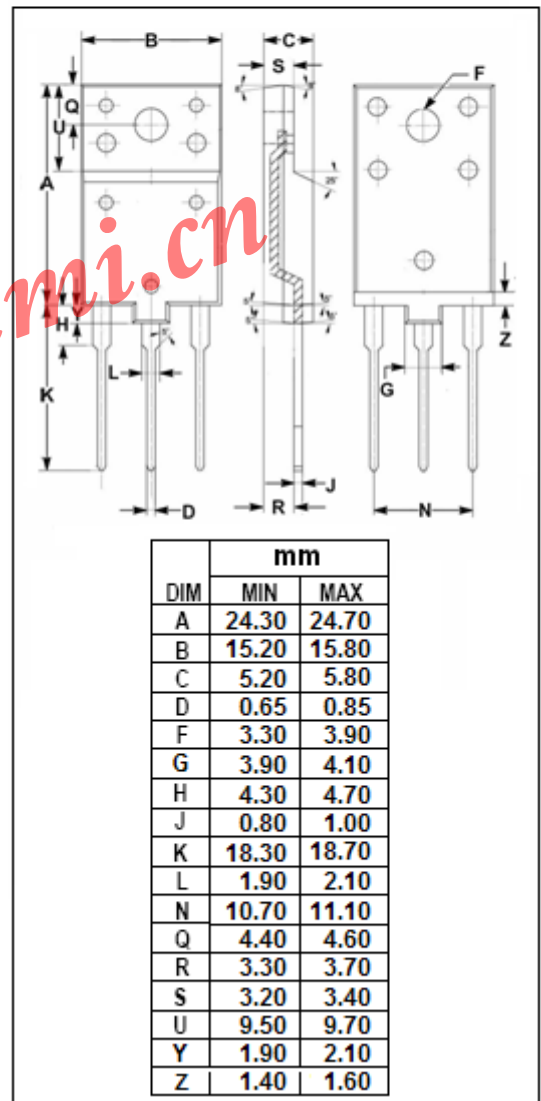
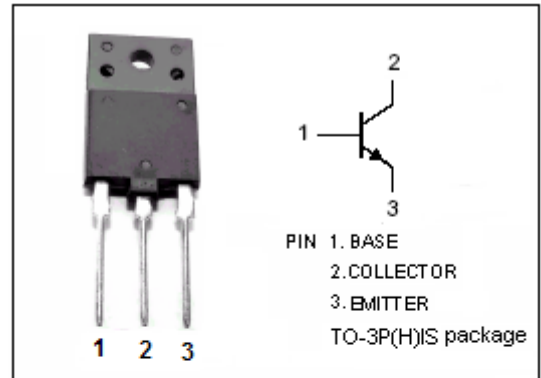
- High Breakdown Voltage-  
:  $V_{CBO}=1400V$  (Min)
- High Switching Speed

APPLICATIONS

- Horizontal deflection output for high resolution display.
- High speed switching regulator output applications.

ABSOLUTE MAXIMUM RATINGS( $T_a=25^{\circ}C$ )

SYMBOL	PARAMETER	VALUE	UNIT
$V_{CBO}$	Collector-Base Voltage	1400	V
$V_{CEO}$	Collector-Emitter Voltage	600	V
$V_{EBO}$	Emitter-Base Voltage	5	V
$I_C$	Collector Current- Continuous	7	A
$I_{CM}$	Collector Current- Peak	14	A
$I_B$	Base Current- Continuous	3.5	A
$P_C$	Collector Power Dissipation @ $T_C=25^{\circ}C$	50	W
$T_J$	Junction Temperature	150	$^{\circ}C$
$T_{stg}$	Storage Temperature Range	-55~150	$^{\circ}C$



## isc Silicon NPN Power Transistor

2SC3885

## ELECTRICAL CHARACTERISTICS

 $T_C=25^\circ\text{C}$  unless otherwise specified

SYMBOL	PARAMETER	CONDITIONS	MIN	TYP.	MAX	UNIT
$V_{(BR)CEO}$	Collector-Emitter Breakdown Voltage	$I_C=5\text{mA}; I_B=0$	600			V
$V_{CE(sat)}$	Collector-Emitter Saturation Voltage	$I_C=5\text{A}; I_B=1.2\text{A}$			5.0	V
$V_{BE(sat)}$	Base-Emitter Saturation Voltage	$I_C=5\text{A}; I_B=1.2\text{A}$			1.5	V
$I_{CBO}$	Collector Cutoff Current	$V_{CB}=1400\text{V}; I_E=0$			1.0	mA
$I_{EBO}$	Emitter Cutoff Current	$V_{EB}=5\text{V}; I_C=0$			10	$\mu\text{A}$
$h_{FE}$	DC Current Gain	$I_C=1\text{A}; V_{CE}=5\text{V}$		8		
$f_T$	Current-Gain—Bandwidth Product	$I_C=0.1\text{A}; V_{CE}=10\text{V}$		3		MHz
$C_{OB}$	Output Capacitance	$I_E=0; V_{CB}=10\text{V}; f_{\text{test}}=1.0\text{MHz}$		210		pF

Switching Times , Resistive load

$t_{stg}$	Storage Time	$I_{CP}=5\text{A}; I_{B1}=1\text{A}; I_{B2}=-2\text{A}; R_L=40\Omega$			2.5	$\mu\text{s}$
$t_f$	Fall Time				0.15	$\mu\text{s}$