

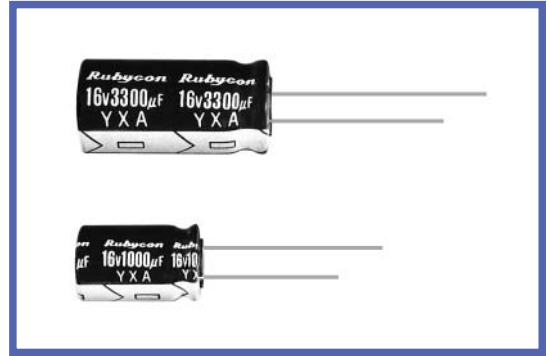


MINIATURE ALUMINUM ELECTROLYTIC CAPACITORS

YXA

YXA SERIES

Previous Series



105°C Standard

◆FEATURES

- RoHS compliance.

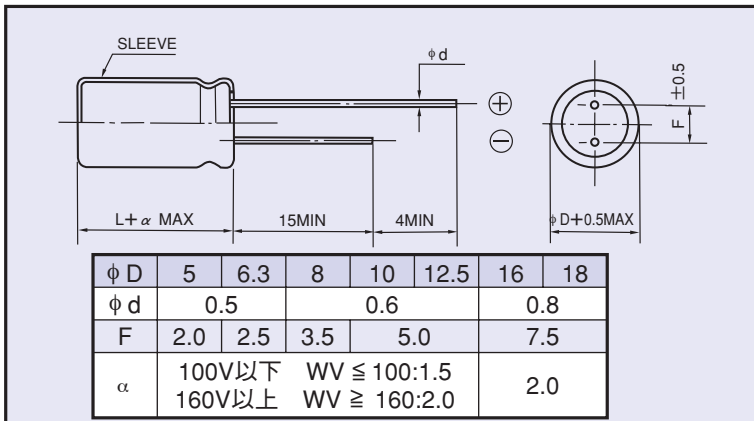
◆SPECIFICATIONS

Items	特 性 Characteristics										
Category Temperature Range	-55~+105°C	-40~+105°C	-25~+105°C								
Rated Voltage Range	6.3~100V.DC	160~250V.DC	350~450V.DC								
Capacitance Tolerance	±20% (20°C, 120Hz)										
Leakage Current(MAX)	6.3~100V.DC		160~450V.DC								
	I=0.01CV or 3 µA whichever is greater. (After 2 minutes application of rated voltage)		CV ≤ 1000								
			CV > 1000								
		I=0.1CV+40 µA (1minute)	I=0.04CV+100 µA (1minute)								
		I=0.03CV+15 µA (5minutes)	I=0.02CV+25 µA (5minutes)								
I=Leakage Current(µA) C=Rated Capacitance(µF) V=Rated Voltage(V)											
(tanδ) Dissipation Factor(MAX)	Rated Voltage (V)	6.3 10 16 25 35 50 63 100 160 200 250 350 400 450	(20°C, 120Hz)								
	tan δ	0.26 0.22 0.18 0.16 0.14 0.12 0.10 0.08 0.20 0.20 0.20 0.24 0.24 0.24									
When rated capacitance is over 1000 µF, tan δ shall be added 0.02 to the listed value with increase of every 1000 µF.											
Endurance	After life test with rated ripple current at conditions stated in the table below, the capacitors shall meet the following requirements.										
	Capacitance Change	Within ±25% of the initial value.	<table border="1"> <tr> <th>Case Size</th> <th>Life Time (hrs)</th> </tr> <tr> <td>φ D ≤ 8</td> <td>1000</td> </tr> <tr> <td>φ D = 10</td> <td>2000</td> </tr> <tr> <td>φ D ≥ 12.5</td> <td>3000</td> </tr> </table>	Case Size	Life Time (hrs)	φ D ≤ 8	1000	φ D = 10	2000	φ D ≥ 12.5	3000
	Case Size	Life Time (hrs)									
φ D ≤ 8	1000										
φ D = 10	2000										
φ D ≥ 12.5	3000										
Dissipation Factor	Not more than 200% of the specified value.										
Leakage Current	Not more than the specified value.										
Low Temperature Stability Impedance Ratio(MAX)	Rated Voltage (V)	6.3 10 16 25 35 50 63 100 160 200 250 350 400 450	(120Hz)								
	Z(-25°C)/Z(20°C)	4 3 2 2 2 2 2 2 3 3 3 6 6 6									
	Z(-40°C)/Z(20°C)	8 6 4 4 3 3 3 3 - - - - -									

◆DIMENSIONS

(mm)

◆MULTIPLIER FOR RIPPLE CURRENT



Frequency coefficient

Frequency (Hz)		60(50)	120	500	1k	10k ≤
Coefficient	0.1~1 µF	0.50	1.00	1.20	1.30	1.50
	2.2~4.7 µF	0.65	1.00	1.20	1.30	1.50
	10~47 µF	0.80	1.00	1.20	1.30	1.50
	100~1000 µF	0.80	1.00	1.10	1.15	1.20
	2200~22000 µF	0.80	1.00	1.05	1.10	1.15

◆PART NUMBER

□□□    YXA    □□□□□    □    □□□    □□    DXL  
 Rated Voltage    Series    Rated Capacitance    Capacitance Tolerance    Option    Lead Forming    Case Size

