

**FEATURES:**



- RoHS compliant
- 24 Pin DIP Package
- Low ripple and noise
- High efficiency up to 80%
- Low profile packaging
- Operating temperature -40°C to +85°C
- Input / Output Isolation 1000, 3000 and 5200VDC
- Pin compatible with multiple manufacturers
- Continuous short circuit protection
- Dual regulated output

**Models**  
**Dual output**

Model	Input Voltage (V)	Output Voltage (V)	Output Current max (mA)	Isolation (VDC)	Efficiency (%)
AM3N-0503D-RZ	4.5-5.5	±3.3	±400	1000	64
AM3N-0505D-RZ	4.5-5.5	±5	±300	1000	66
AM3N-0507D-RZ	4.5-5.5	±7.2	±208	1000	55
AM3N-0509D-RZ	4.5-5.5	±9	±167	1000	68
AM3N-0512D-RZ	4.5-5.5	±12	±125	1000	70
AM3N-0515D-RZ	4.5-5.5	±15	±100	1000	70
AM3N-0518D-RZ	4.5-5.5	±18	±84	1000	57
AM3N-0524D-RZ	4.5-5.5	±24	±63	1000	69
AM3N-1203D-RZ	10.8-13.2	±3.3	±400	1000	52
AM3N-1205D-RZ	10.8-13.2	±5	±300	1000	75
AM3N-1207D-RZ	10.8-13.2	±7.2	±208	1000	55
AM3N-1209D-RZ	10.8-13.2	±9	±167	1000	78
AM3N-1212D-RZ	10.8-13.2	±12	±125	1000	80
AM3N-1215D-RZ	10.8-13.2	±15	±100	1000	78
AM3N-1218D-RZ	10.8-13.2	±18	±84	1000	62
AM3N-1224D-RZ	10.8-13.2	±24	±63	1000	76
AM3N-2403D-RZ	21.6-26.4	±3.3	±400	1000	52
AM3N-2405D-RZ	21.6-26.4	±5	±300	1000	77
AM3N-2407D-RZ	21.6-26.4	±7.2	±208	1000	55
AM3N-2409D-RZ	21.6-26.4	±9	±167	1000	78
AM3N-2412D-RZ	21.6-26.4	±12	±125	1000	80
AM3N-2415D-RZ	21.6-26.4	±15	±100	1000	78
AM3N-2418D-RZ	21.6-26.4	±18	±84	1000	65
AM3N-2424D-RZ	21.6-26.4	±24	±63	1000	76
AM3N-0503DH30-RZ	4.5-5.5	±3.3	±400	3000	64
AM3N-0505DH30-RZ	4.5-5.5	±5	±300	3000	66
AM3N-0507DH30-RZ	4.5-5.5	±7.2	±208	3000	55
AM3N-0509DH30-RZ	4.5-5.5	±9	±167	3000	68
AM3N-0512DH30-RZ	4.5-5.5	±12	±125	3000	70
AM3N-0515DH30-RZ	4.5-5.5	±15	±100	3000	70
AM3N-0518DH30-RZ	4.5-5.5	±18	±84	3000	57
AM3N-0524DH30-RZ	4.5-5.5	±24	±63	3000	69
AM3N-1203DH30-RZ	10.8-13.2	±3.3	±400	3000	64
AM3N-1205DH30-RZ	10.8-13.2	±5	±300	3000	75
AM3N-1207DH30-RZ	10.8-13.2	±7.2	±208	3000	55
AM3N-1209DH30-RZ	10.8-13.2	±9	±167	3000	78
AM3N-1212DH30-RZ	10.8-13.2	±12	±125	3000	80
AM3N-1215DH30-RZ	10.8-13.2	±15	±100	3000	78
AM3N-1218DH30-RZ	10.8-13.2	±18	±84	3000	62
AM3N-1224DH30-RZ	10.8-13.2	±24	±63	3000	76
AM3N-2403DH30-RZ	21.6-26.4	±3.3	±400	3000	64
AM3N-2405DH30-RZ	21.6-26.4	±5	±300	3000	77
AM3N-2407DH30-RZ	21.6-26.4	±7.2	±208	3000	55
AM3N-2409DH30-RZ	21.6-26.4	±9	±167	3000	78

**Models**

**Dual output (Continue)**

Model	Input Voltage (V)	Output Voltage (V)	Output Current max (mA)	Isolation (VDC)	Efficiency (%)
AM3N-2412DH30-RZ	21.6-26.4	±12	±125	3000	80
AM3N-2415DH30-RZ	21.6-26.4	±15	±100	3000	78
AM3N-2418DH30-RZ	21.6-26.4	±18	±84	3000	65
AM3N-2424DH30-RZ	21.6-26.4	±24	±63	3000	76
AM3N-0503DH52-RZ	4.5-5.5	±3.3	±400	5200	64
AM3N-0505DH52-RZ	4.5-5.5	±5	±300	5200	66
AM3N-0507DH52-RZ	4.5-5.5	±7.2	±208	5200	53
AM3N-0509DH52-RZ	4.5-5.5	±9	±167	5200	68
AM3N-0512DH52-RZ	4.5-5.5	±12	±125	5200	70
AM3N-0515DH52-RZ	4.5-5.5	±15	±100	5200	70
AM3N-0518DH52-RZ	4.5-5.5	±18	±84	5200	57
AM3N-0524DH52-RZ	4.5-5.5	±24	±63	5200	69
AM3N-1203DH52-RZ	10.8-13.2	±3.3	±400	5200	64
AM3N-1205DH52-RZ	10.8-13.2	±5	±300	5200	75
AM3N-1207DH52-RZ	10.8-13.2	±7.2	±208	5200	55
AM3N-1209DH52-RZ	10.8-13.2	±9	±167	5200	78
AM3N-1212DH52-RZ	10.8-13.2	±12	±125	5200	80
AM3N-1215DH52-RZ	10.8-13.2	±15	±100	5200	78
AM3N-1218DH52-RZ	10.8-13.2	±18	±84	5200	62
AM3N-1224DH52-RZ	10.8-13.2	±24	±63	5200	76
AM3N-2403DH52-RZ	21.6-26.4	±3.3	±400	5200	64
AM3N-2405DH52-RZ	21.6-26.4	±5	±300	5200	77
AM3N-2407DH52-RZ	21.6-26.4	±7.2	±208	5200	53
AM3N-2409DH52-RZ	21.6-26.4	±9	±167	5200	78
AM3N-2412DH52-RZ	21.6-26.4	±12	±125	5200	80
AM3N-2415DH52-RZ	21.6-26.4	±15	±100	5200	78
AM3N-2418DH52-RZ	21.6-26.4	±18	±84	5200	65
AM3N-2424DH52-RZ	21.6-26.4	±24	±63	5200	76

**Input Specifications**

Parameters	Nominal	Typical	Maximum	Units
Voltage range	5	4.5-5.5		VDC
	12	10.8-13.2		
	24	21.6-26.4		
Filter	π (Pi) Network			
Turn on Transient process time			100	ms
Start up time		300		ms
Absolute Maximum Rating	5 Vin	0-7		VDC
	12 Vin	0-15		
	24 Vin	0-28		
Peak Input Voltage time		100		ms

**Isolation Specifications**

Parameters	Conditions	Typical	Maximum	Units
Tested I/O voltage	3 sec	1000, 3000 and 5200		VDC
Resistance		> 1000		MOhm
Capacitance		60		pF

**Output Specifications**

Parameters	Conditions	Typical	Maximum	Units
Voltage accuracy		±2		%
Voltage balance		±1		%
Short Circuit protection	Continuous			
Short circuit restart	Auto-recovery			

### Output Specifications (continued)

Parameters	Conditions	Typical	Maximum	Units
Line voltage regulation (Dual)		±0.5		%
Load voltage regulation (Dual)	0 to 100% load	±0.5		%
Load voltage regulation (Dual) 3.3V output model	0 to 100% load	±1.5		%
Temperature coefficient		±0.02		%/°C
Ripple & Noise	At 20MHz Bandwidth	75		mV p-p
Rising time		150		ms

### General Specifications

Parameters	Conditions	Typical	Maximum	Units
Switching frequency	100% load	250		KHz
Operating temperature	Full Load without Derating		-40 to +85	°C
Storage temperature			-40 to +125	°C
Max Case temperature			95	°C
Cooling	Free air convection			
Humidity			90	%
Case material	Nickel coated copper, at 5200VDC plastic			
Weight		14.5		g
Dimensions (L x W x H)	Tolerance ±0.5 mm or ±0.02 inches	1.25 x 0.80 x 0.40 inches	31.75 x 20.32 x 10.16 mm	
MTBF	>3 000 000 hrs (MIL-HDBK -217F, Ground Benign, t=+25°C)			

NOTE: All specifications in this datasheet are measured at an ambient temperature of 25°C, humidity<75%, nominal input voltage and at rated output load unless otherwise specified

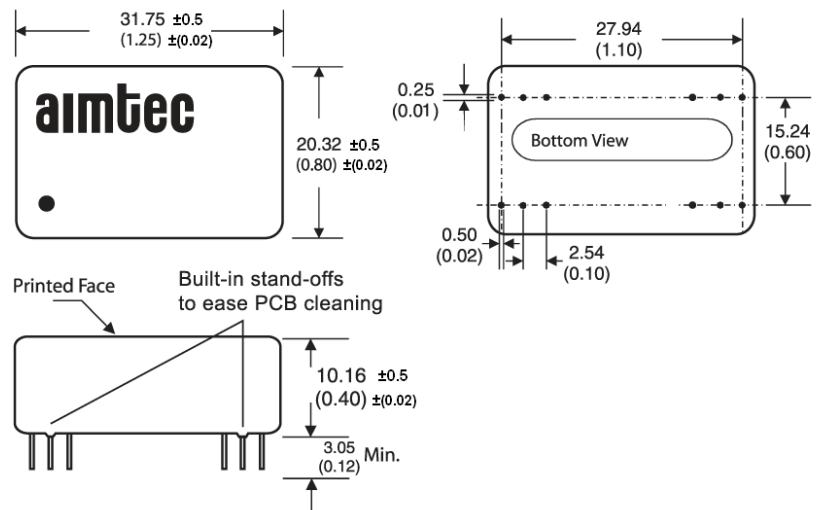
### Safety Specifications

Standards	
Safety Standard	EN55022 Class A,
	IEC61000-4-2, Perf. Criteria B
	IEC61000-4-3, Perf. Criteria A
	IEC61000-4-4, Perf. Criteria B (external 220uF/100V cap required)
	IEC61000-4-5, Perf. Criteria B (external 220uF/100V cap required)
	IEC61000-4-6, Perf. Criteria A
Agency Approval/Marking	CE

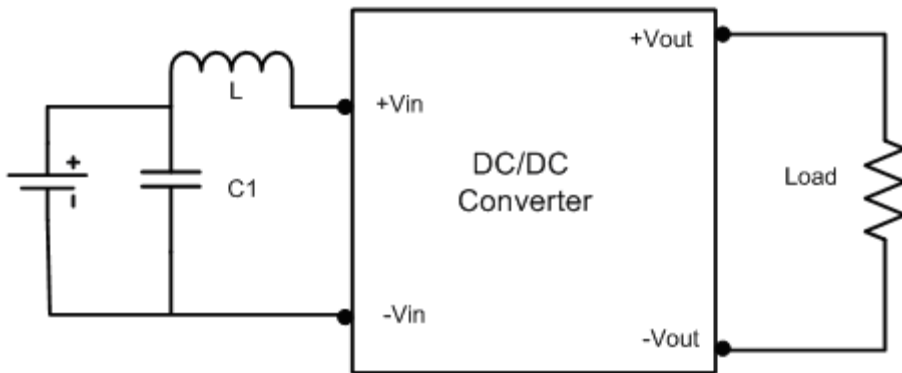
### Pin Out Specifications

Pin	1000VDC Dual	3000 and 5200VDC Dual
1	+V Input	+V Input
2	-V Output	+V Input
3	Common	No pin
10	Common	Common
11	+V Output	Common
12	-V Input	No pin
13	-V Input	-V Output
14	+V Output	No pin
15	Common	+V Output
22	Common	No pin
23	-V Output	-V Input
24	+V Input	-V Input

### Dimensions

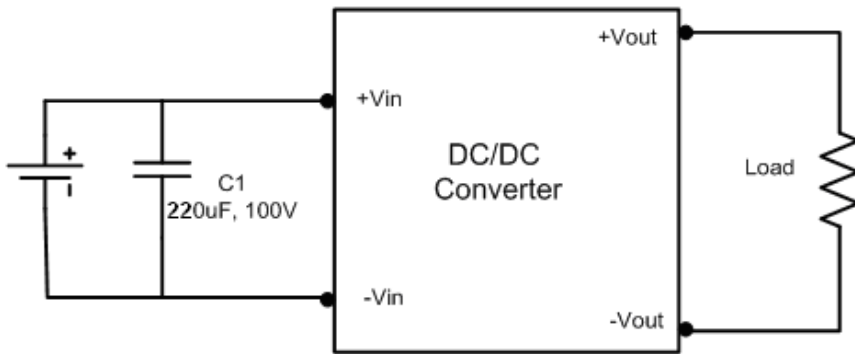


**Test Circuits**  
**Conducted Emissions:**



C1	L1
220 $\mu$ F/100V	22 $\mu$ H

**Surge:**



**NOTE:** 1. Datasheets are updated as needed and as such, specifications are subject to change without notice. Once printed or downloaded, datasheets are no longer controlled by Aimtec; refer to [www.aimtec.com](http://www.aimtec.com) for the most current product specifications. 2. Product labels shown, including safety agency certifications on labels, may vary based on the date manufactured. 3. Mechanical drawings and specifications are for reference only. 4. Aimtec may not have conducted destructive testing or chemical analysis on all internal components and chemicals at the time of publishing this document. CAS numbers and other limited information are considered proprietary and may not be available for release. 5. This product is not designed for use in critical life support systems, equipment used in hazardous environments, nuclear control systems or other such applications which necessitate specific safety and regulatory standards other the ones listed in this datasheet.