

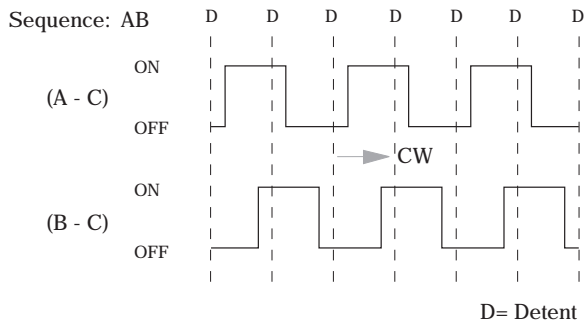
## FEATURES

- 2 bit counting code (see graph code)
- Contact type
- Push-on switch (optional)
- Mechanical detents
- High reliability
- High precision
- Low cost
- Long life
- Compact design
- Snap-in or bush type fastening
- Threaded or plain bush options
- Available in SMD and vertical mount
- Bushless version also available

## MAIN SPECIFICATIONS

Operating temperature:	-40°C to 85°C
Max. Current per contact:	5mA DC
Life (endless rotation):	25,000 cycles
Operating torque:	0.3 to 2 Ncm
Push-on switch:	0.5 mm
Contact resistance (max):	0.5 ohms
Pulses/Detents:	9/18, 15/30

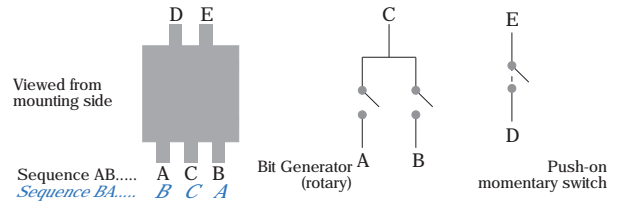
## GRAPH CODE



## TYPICAL APPLICATIONS

- In all kinds of applications which require a single or multi-function rotary control interfaced with a digital electronic circuit:
- Automotive:
    - Car radio: volume & tuning controls.
    - Climate control: temperature control & airflow distribution.
    - Navigation systems: mode switching.
  - Consumer:
    - Home appliances: washing machine/Microwave Oven timer & temperature programming controls, Hi-Fi, CD, Mini disc and MP3 players, volume, tone and title search controls.
  - Multimedia:
    - LCD & CRT Monitor multi-function mode select control (using push-on switch option)
  - Professional:
    - Input/output adjustment for Digital Audio Mixers.

## TERMINAL DESIGNATIONS



## HOW TO ORDER

<b>CI-11</b>	<b>S</b>	<b>0 9 1 8</b>	<b>L</b>	<b>0 5</b>	<b>A B</b>	<b>N</b>	<b>0 0 1</b>		
Series	Mounting Method	Pulses/Detents	Detent Torque	Code	Push on Switch	Sequence	Bushing	Shaft Code	Optional Extras
	V = Vertical S = SMD	09 18 15 30	L = Low H = High	05 00	0.5 mm. travel No switch	A B B A	T = Threaded N = Not threaded 0 = Bushless	001 007 101 103 <i>(Others upon request)</i> (See note 1)	-TA = Loose nut and washer -T- = Loose nut (See note 2)

### NOTES:

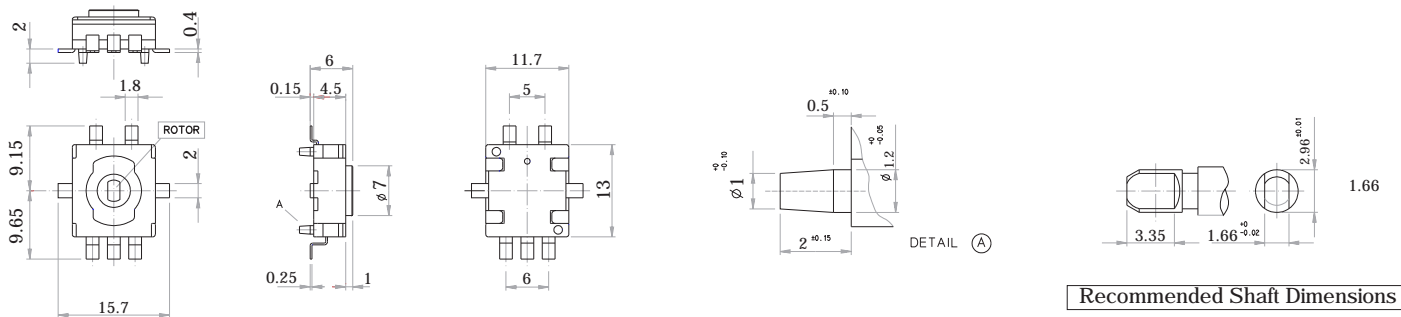
- (1) Shaft material: steel (standard) or Die Cast upon request.
- (2) Options only available for "T" Bushing models.

## STANDARD OPTIONS

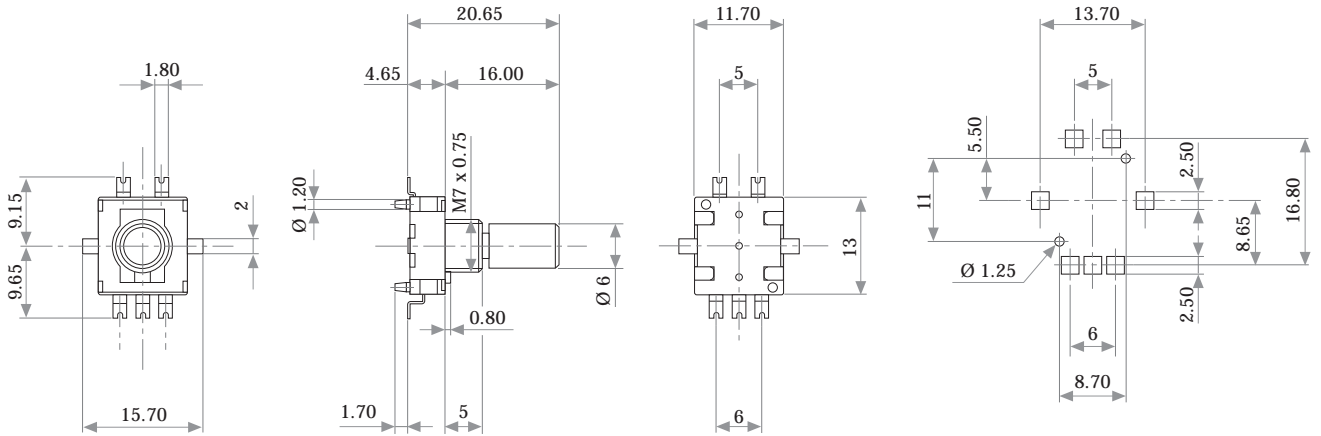
Nut & Washer ..... Without Nut & Washer

NOTE: The information contained here may be changed without prior notice.  
This project has been financially supported by the Spanish Technological Development Institute (CDTI).

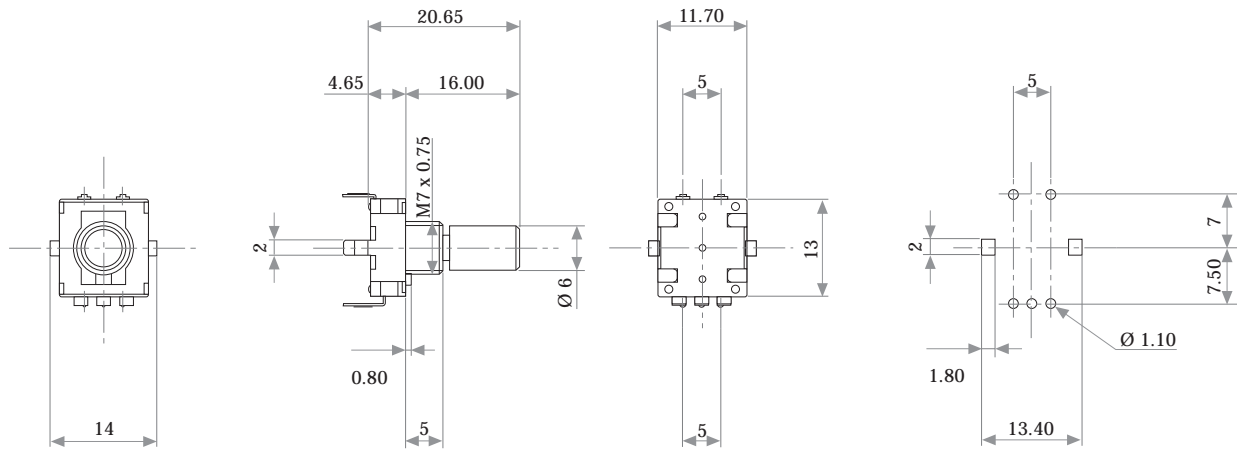
## CI-11 S (Bushless)



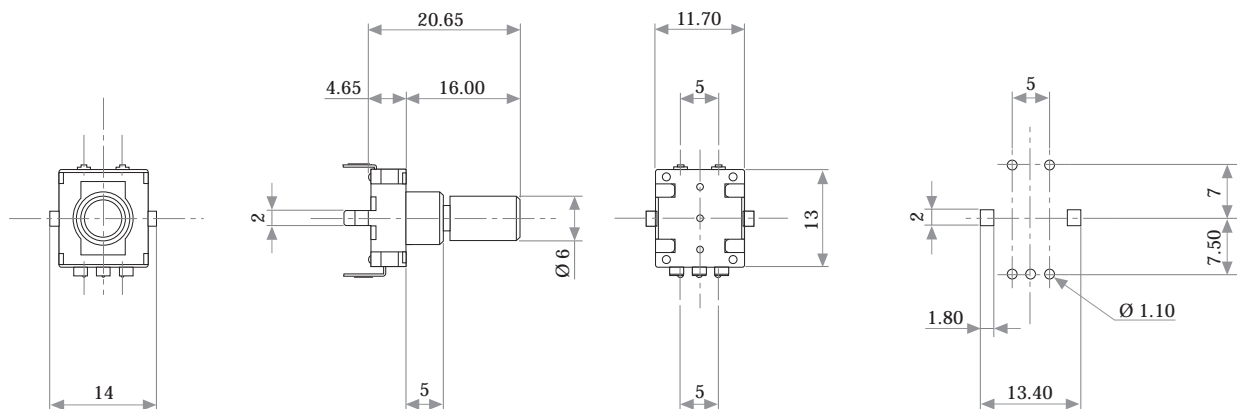
## CI-11 S

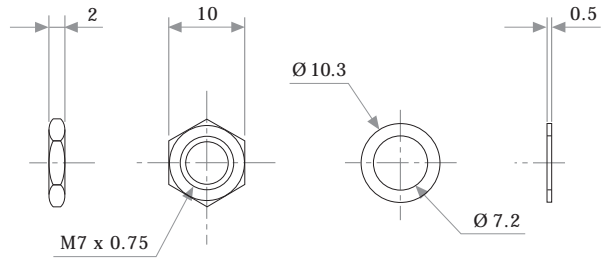
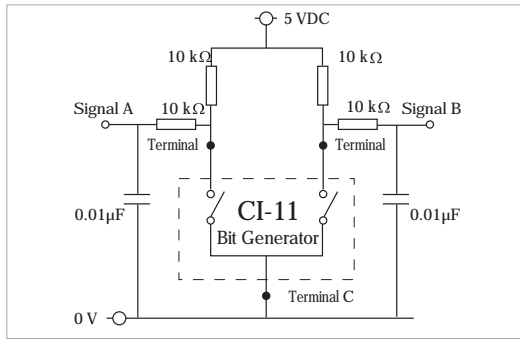


## CI-11 V (Threaded)



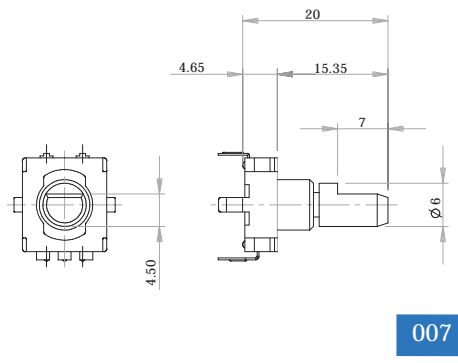
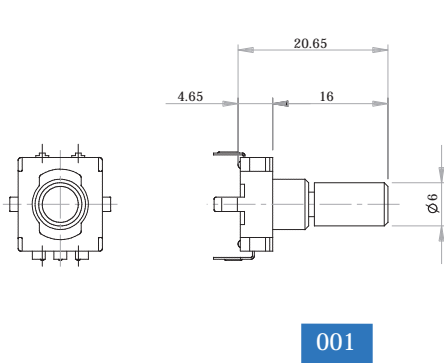
## CI-11 V (Not threaded)





STANDARD SHAFTS

0.5mm Switch Travel types



Without Switch types

