

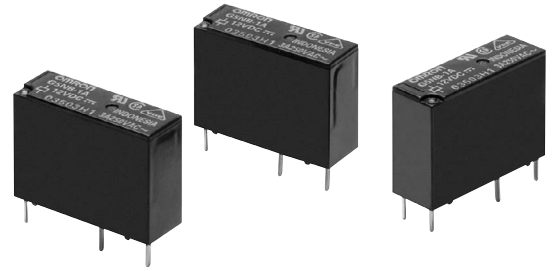
G5NB

PCB Power Relay



A Miniature Relay with 1-pole 3A/5A Switching Capability and 10 kV Impulse Withstand Voltage

- Highly efficient magnetic circuit for high sensitivity (200 mW).
- Small, yet provides 10-kV impulse withstand voltage (between coil and contacts).
- Standard model conforms to UL/CSA/VDE standards.
- Satisfies EN61010 reinforced insulation requirements.



RoHS Compliant

Model Number Legend

G5NB-□□□-□
1 2 3 4

1. Number of Poles

1: 1-pole

2. Contact Form

A: SPST-NO (1a)

3. Enclosure rating

None: Flux protection

4 : Fully sealed

4. Classification

None: Standard

E : High-capacity

Application Examples

- Water heaters
- Refrigerators
- Air conditioners
- Home appliances
- Small electric appliances

G
5
N
B

Ordering Information

Classification	Item Contact form	Enclosure rating	Model	Rated coil voltage	Minimum packing unit
Standard	SPST-NO (1a)	Flux protection	G5NB-1A	5, 12, 18, 24 VDC	100 pcs/Tray
		Fully sealed	G5NB-1A4		
High-capacity		Flux protection	G5NB-1A-E		
		Fully sealed	G5NB-1A4-E		

Note. When ordering, add the rated coil voltage to the model number.

Example: G5NB-1A 5VDC

Rated coil voltage

Ratings

Coil

Item	Rated current (mA)	Coil resistance (Ω)	Must operate voltage (V)	Must release voltage (V)	Max. voltage (V)	Power consumption (mW)
Rated voltage			% of rated voltage			
5 VDC	40	125	75% max.	10% min.	Standard: 180% (at 23°C) High-capacity: 170% (at 23°C)	Approx. 200
12 VDC	16.7	720				
18 VDC	11.1	1,620				
24 VDC	8.3	2,880				

Note 1. The rated current and coil resistance are measured at a coil temperature of 23°C with a tolerance of ±10%.

Note 2. The operating characteristics are measured at a coil temperature of 23°C.

Note 3. The "Max. voltage" is the maximum voltage that can be applied to the relay coil.

Contacts

Item	Load	Resistive load	
		Standard	High-capacity
Contact Type		Single	
Contact material		Ag-alloy (Cd free)	
Rated load		3 A at 125 VAC	5 A at 250 VAC
		3 A at 30 VDC	3 A at 30 VDC
Rated carry current		3 A	5 A
Max. switching voltage		250 VAC, 30 VDC	
Max. switching current		3 A	5 A

Characteristics

Contact resistance *1	100 mΩ max.	
Operate time	10 ms max.	
Release time	10 ms max.	
Insulation resistance *2	1,000 MΩ min. (at 500 VDC)	
Dielectric strength	Between coil and contacts	4,000 VAC, 50/60 Hz for 1 min
	Between contacts of the same polarity	750 VAC, 50/60 Hz for 1 min
Impulse withstand voltage	Between coil and contacts	10 kV (1.2 x 50 μs)
Vibration resistance	Destruction	10 to 55 to 10 Hz, 0.75 mm single amplitude (1.5 mm double amplitude)
	Malfunction	10 to 55 to 10 Hz, 0.75 mm single amplitude (1.5 mm double amplitude)
Shock resistance	Destruction	1,000 m/s ²
	Malfunction	100 m/s ²
Durability	Mechanical	5,000,000 operations min.
	Electrical (resistive load)	Standard (G5NB-1A, -1A4) 200,000 operations at 125 VAC, 3A 200,000 operations at 30 VDC, 3A High-capacity (G5NB-1A-E, -1A4-E) 100,000 operations at 250 VAC, 5A 200,000 operations at 30 VDC, 3A (with a rated load at 1,800 operations/hour)
Failure rate (P level) (reference value) *3	DC5V 10mA	
Ambient operating temperature	-40°C to 70°C (with no icing or condensation)	
Ambient operating humidity	5% to 85%	
Weight	Approx. 4 g	

Note. The data shown above are initial value.

*1. Measurement conditions: 5 VDC, 1 A, voltage drop method

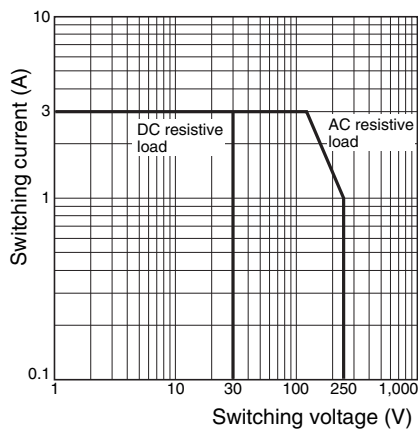
*2. Measurement conditions: Measured at the same points as the dielectric strength using a 500 VDC ohmmeter.

*3. This value was measured at a switching frequency of 120 operations/min.

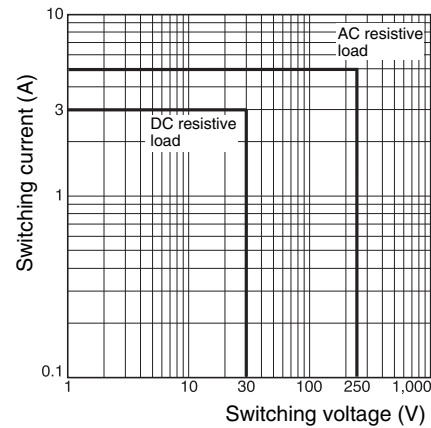
Engineering Data

Maximum Switching Capacity

Standard models



High-capacity models

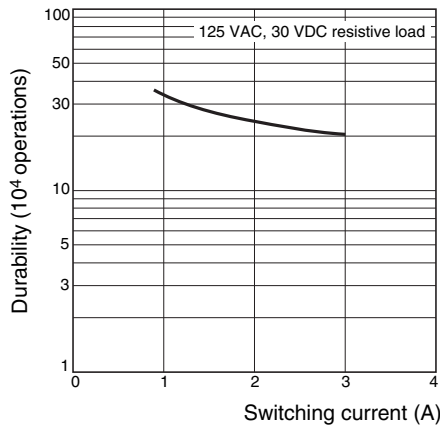


Actual Load Life (Reference Values)

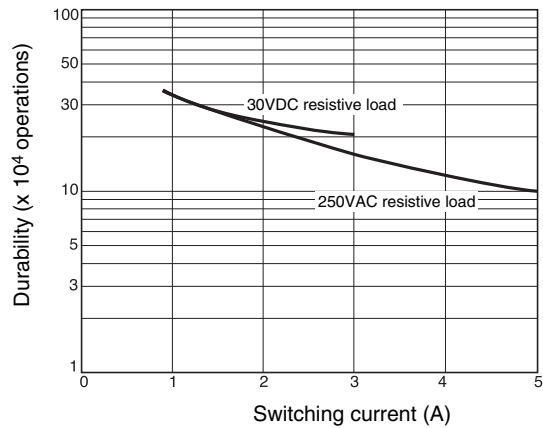
- 120 VAC** motor and lamp load
2.5A surge and 0.5A normal:
250,000 operations min. (at 23°C)
- 160 VDC** valve load (with varistor)
0.24A:
250,000 operations min. (at 23°C)

●Durability

Standard models

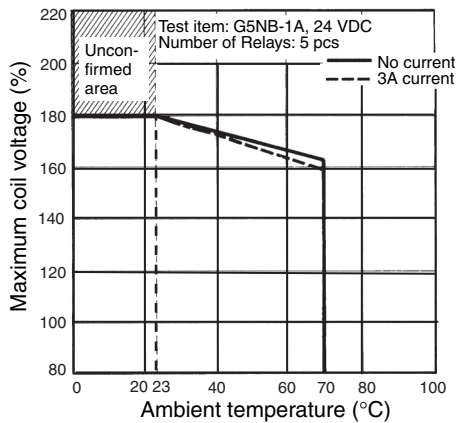


High-capacity models

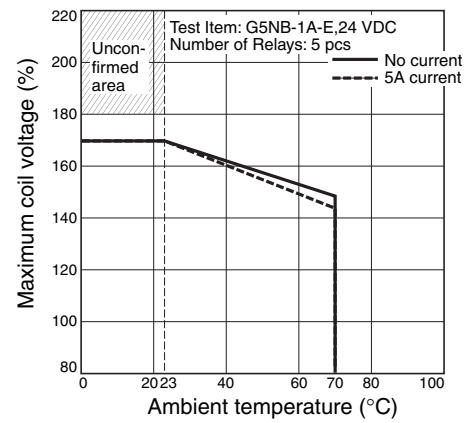


●Ambient Temperature vs. Maximum Coil Voltage

Standard models



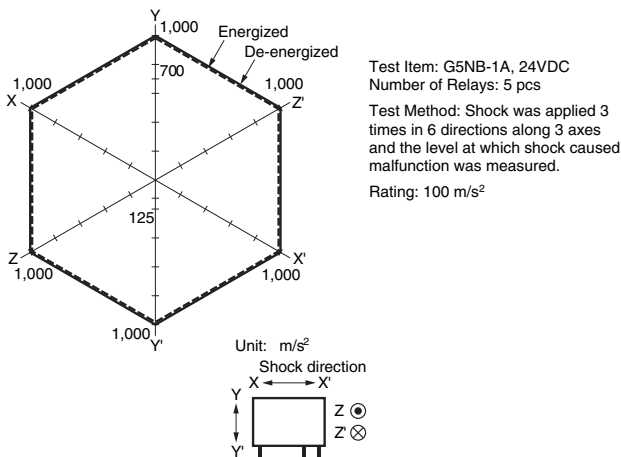
High-capacity models



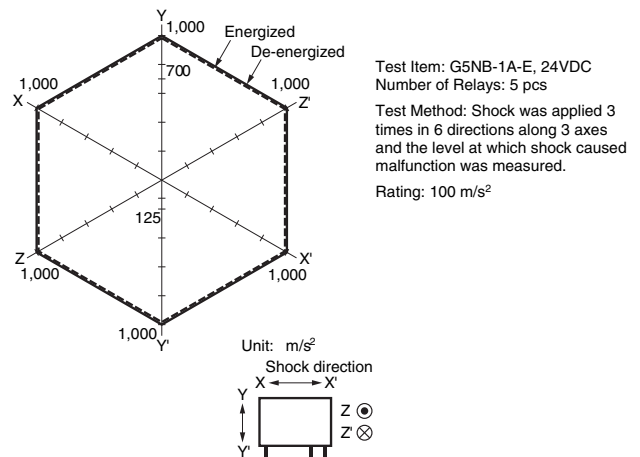
Note: The maximum coil voltage refers to the maximum value in a varying range of operating power voltage, not a continuous voltage.

●Shock malfunction

Standard models



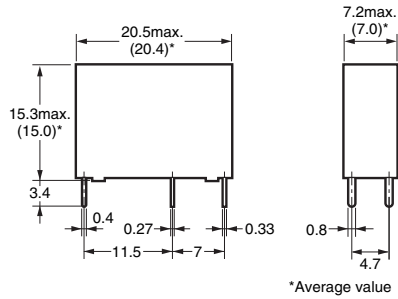
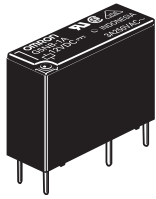
High-capacity models



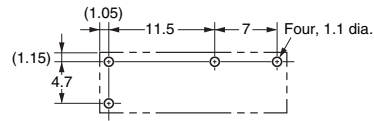
■Dimensions

(Unit: mm)

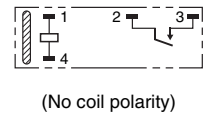
G5NB-1A(4)(-E)



PCB Mounting Holes (Bottom View) Tolerance: ±0.1 mm



Terminal Arrangement/ Internal Connections (Bottom View)



■Approved Standards

The approval rating values for overseas standards are different from the performance values determined individually. Confirm the values before use.

●UL Recognized: (File No. E41515)

CSA Certified: (File No. LR31928)

Model	Contact form	Coil ratings	Contact ratings	Number of test operations
G5NB-1A(4)	SPST-NO (1a)	5~24V DC	3A 125V AC (Resistive) 70°C 3A 30V DC (Resistive) 70°C	6,000
G5NB-1A(4)-E			5A 250 V AC (Resistive) 85°C 5A 30 V DC (Resistive) 70°C	

●EN/IEC, VDE Certified (Registration No. 137575)

Model	Contact form	Coil ratings	Contact ratings	Number of test operations
G5NB-1A(4)	SPST-NO (1a)	5, 12, 18, 24V DC	3A 250V AC (Resistive) 85°C 3A 30V DC (Resistive) 85°C	100,000
G5NB-1A(4)-E			5A 250 V AC (Resistive) 85°C 5A 30 V DC (Resistive) 85°C	

■Precautions

●Please refer to “PCB Relays Common Precautions” for correct use.

Correct Use

●Handling

The G5NB is flux-resistant. Do not wash the G5NB with water.

• Application examples provided in this document are for reference only. In actual applications, confirm equipment functions and safety before using the product.
 • Consult your OMRON representative before using the product under conditions which are not described in the manual or applying the product to nuclear control systems, railroad systems, aviation systems, vehicles, combustion systems, medical equipment, amusement machines, safety equipment, and other systems or equipment that may have a serious influence on lives and property if used improperly. Make sure that the ratings and performance characteristics of the product provide a margin of safety for the system or equipment, and be sure to provide the system or equipment with double safety mechanisms.

Note: Do not use this document to operate the Unit.