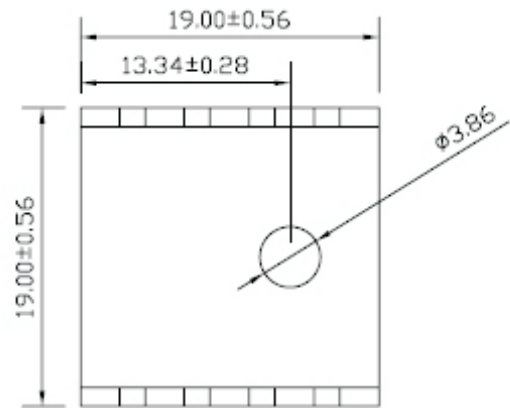


(A)



(B)



CODE	PART NO
A	HS-001A
B	HS-001

STONECOLD

TOLERANCE
UNIT ±0.2

MATERIAL
ALUMINUM 1100 T=1.2MM

FINISHED
BLACK ANODIZE

SCALE:
DIMENSIONS IN MM

TITLE:
HEAT SINK

PART NO:
HS-001