

NF42



»» Features

- Small sizes 15.5 x 11 x 11.5mm
- High sensitivity 200mW
- Available with the two different terminal layouts
- UL/CUL approved
- Special design for alarm, security system, office equipment, medical equipment
- Comply with RoHS-Directive 2011/65/EU

»» Type List

Terminal style	Contact form	Terminal Layout	Designation (provided with)	
			Flux tight type	Sealed type washable
PCB Terminal	1C (SPDT)	Standard	NF42 001 A ..	NF42 001 A .. W
		Different	NF42A 001 A ..	NF42A 001 A .. W

»» Ordering Information

NF42 001 A 24 W
 1 2 3 4 5

- | | |
|--|--|
| 1. NF42 -- Standard type | 4. -- Coil voltage: 5=5V; 6=6V; 9=9V; 12=12V; 18=18V; 24=24V |
| NF42A -- with different terminal Layout | |
| 2. 001 -- Single pole double throw - 1CO | 5. Blank -- Flux tight |
| | W -- Sealed washable |
| 3. A -- Ag Au coated | |

»» Contact Data

Type of contact	Single contact
Configuration	1CO
Rated load	3A/30VDC; 3A/125VAC
Maximum switching current	3A
Maximum switching voltage	60VDC / 220VAC
Maximum switching capacity	90W / 375VA
Contact resistance	50mΩ
Contact material	Ag Au coated

»» Coil rating (DC @+23°C)

Rated voltage (V)	Rated current (mA) ±10%	Coil resistance (Ω) ±10%	Max. continuous voltage (V)	Pick up voltage	Drop out voltage	Power consumption at rated voltage (mW)
5	40	125	110 % of rated voltage	75 % of rated voltage	10 % of rated voltage	200
6	33.3	180				
9	22.2	405				
12	16.6	720				
18	11.1	1620				
24	8.3	2880				



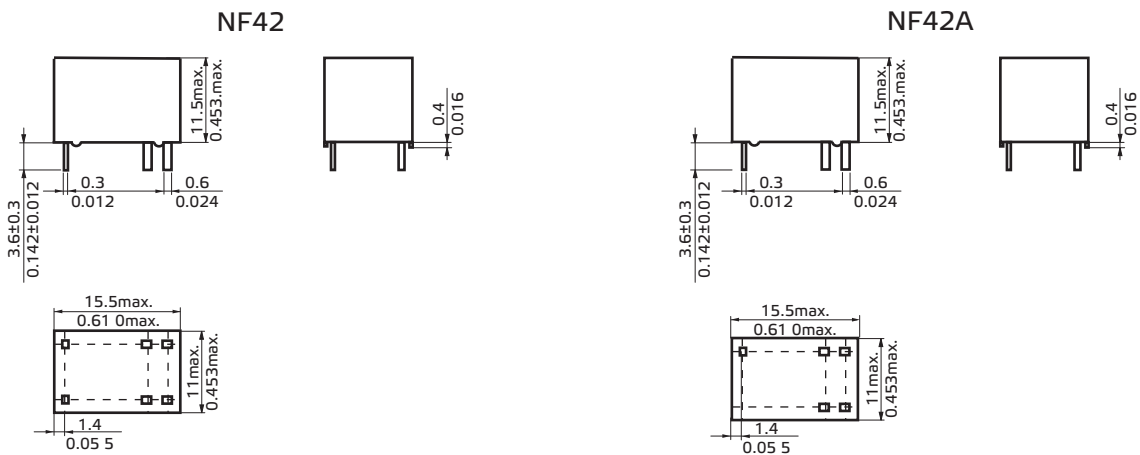
»» Specification

Mechanical life	10x10 ⁶ cycles	
Electrical life at rated load	1x10 ⁵ cycles	
Operate Time	5ms Max.	
Release Time	5ms Max.	
Dielectric strength	Between coil and contacts	500V, 50/60Hz, 1min
	Between open contacts	500V, 50/60Hz, 1min
Vibration resistance (10..55Hz) double amplitude	Operation extremes	1.5mm
	Shock resistance	Operation extremes - 11ms
Operating ambient temperature	-25~+70°C	
Approvals	UL/CUL	
Weight	3.5g	

»» Safety Approval

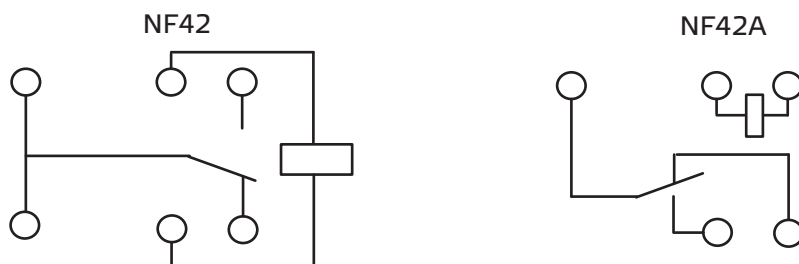
Certified	UL / CUL pending
Ratings	3A/125VAC; 3A/30VDC

»» Outline Dimensions



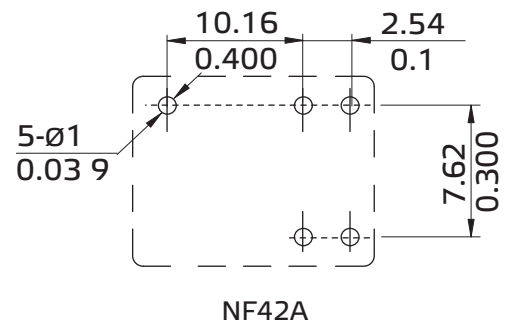
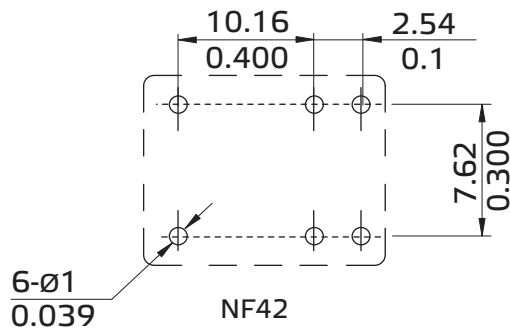
»» Wiring Diagram

BOTTOM VIEW



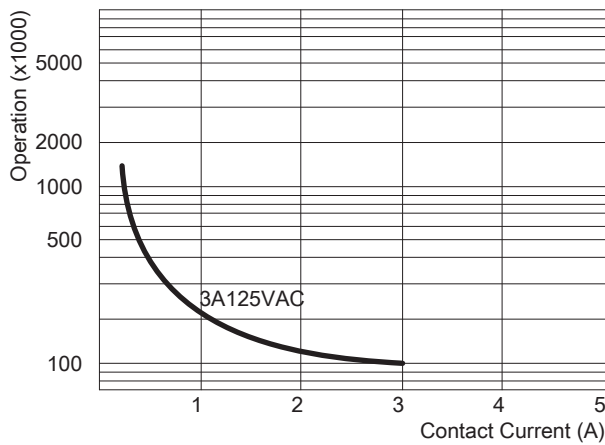
NF42

»» PC Board Layout BOTTOM VIEW

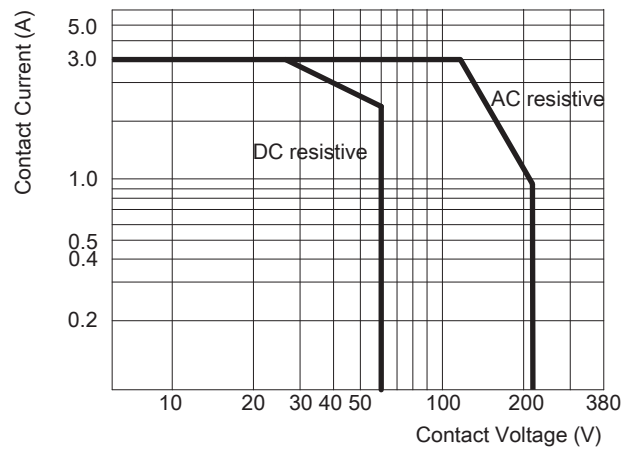


»» Engineering Data

Life expectancy



Contact switching capacity



Ningbo Forward GmbH
 Goethestr. 4-8
 60313 Frankfurt am Main
 Germany
 info@ningboforward.eu