
Remote Control Encoder

PT2262

Description

PT2262 is a remote control encoder paired with PT2272 utilizing CMOS Technology. It encodes data and address pins into a serial coded waveform suitable for RF or IR modulation. PT2262 has a maximum of 12 bits of tri-state address pins providing up to 531,441 (or 3^{12}) address codes; thereby, drastically reducing any code collision and unauthorized code scanning possibilities.

Features

- CMOS Technology
- Low Power Consumption
- Very High Noise Immunity
- Up to 12 Tri-State Code Address Pins
- Up to 6 Data Pins
- Wide Range of Operating Voltage: $V_{cc} = 4 \sim 15$ Volts
- Single Resistor Oscillator
- Latch or Momentary Output Type
- Available in DIP and SO Package

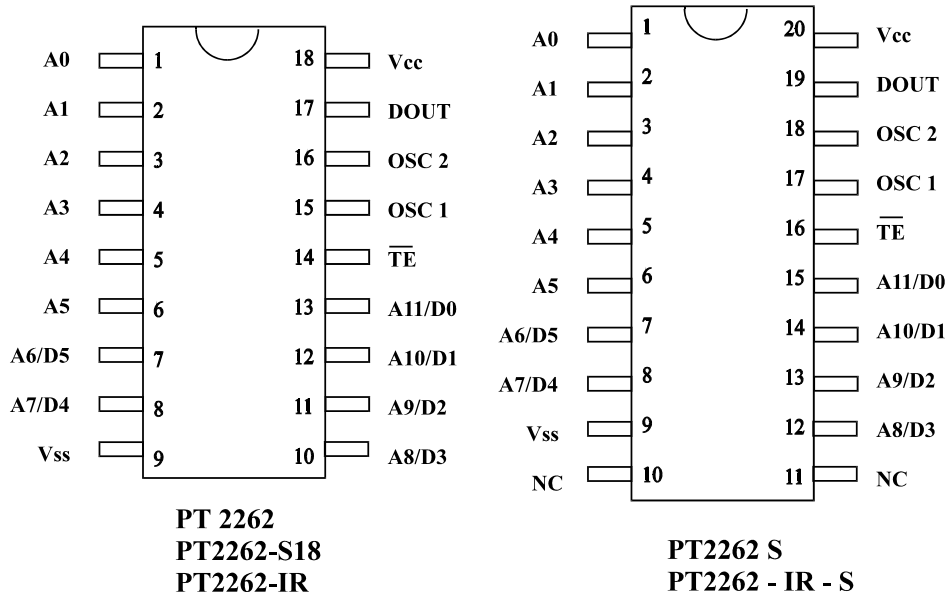
Applications

- Car Security System
- Garage Door Controller
- Remote Control Fan
- Home Security/Automation System
- Remote Control Toys
- Remote Control for Industrial Use

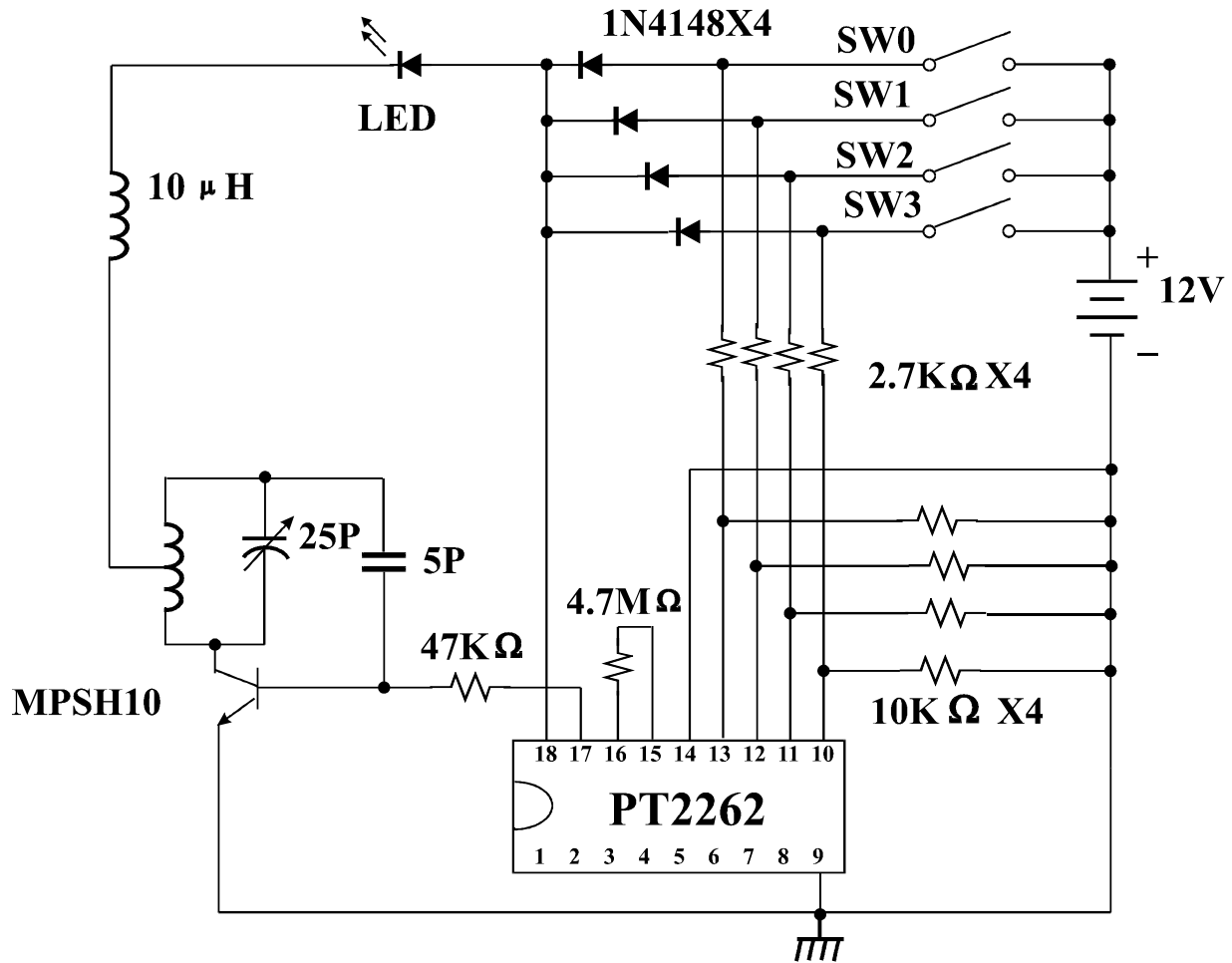
Remote Control Encoder

PT2262

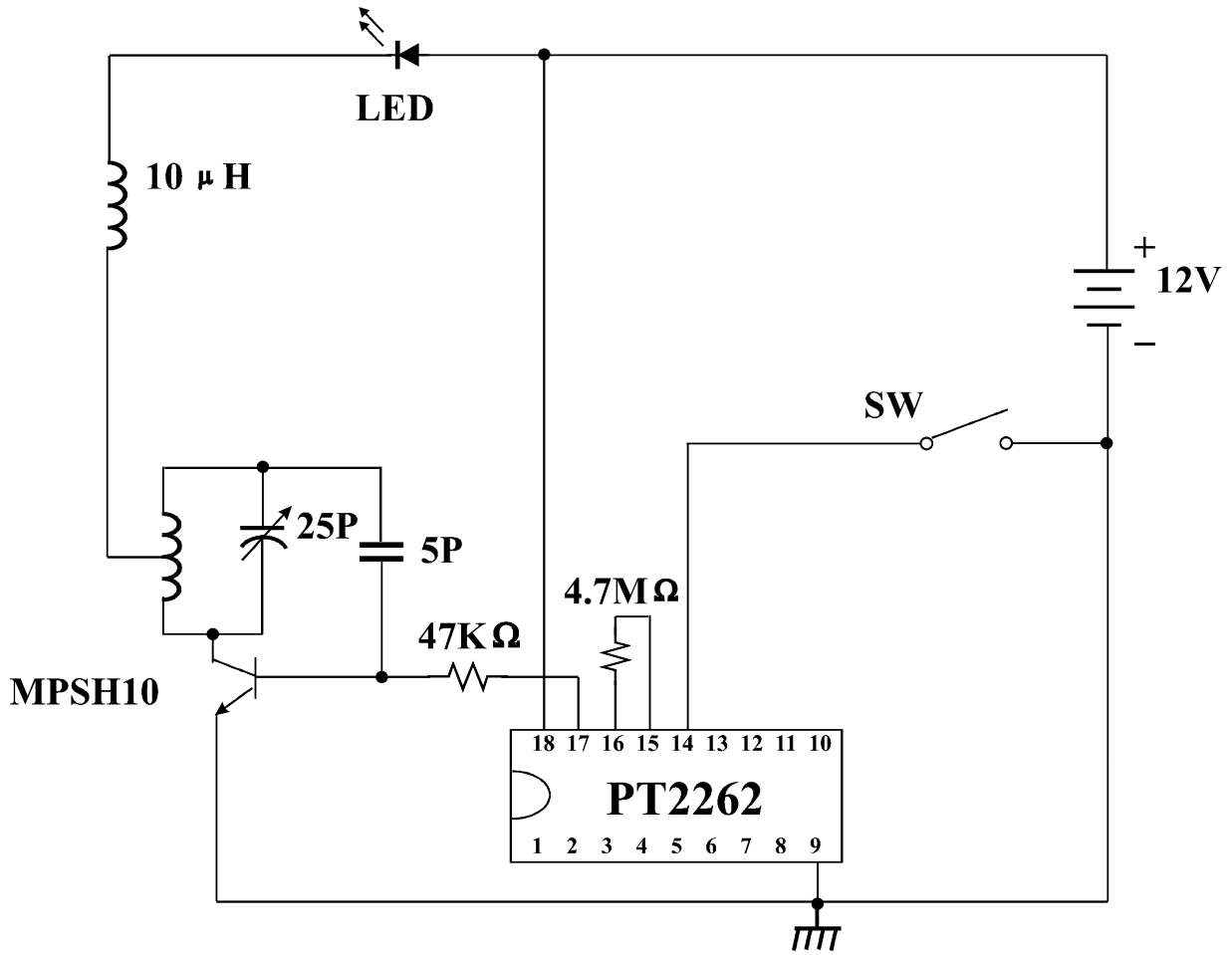
Pin Configuration



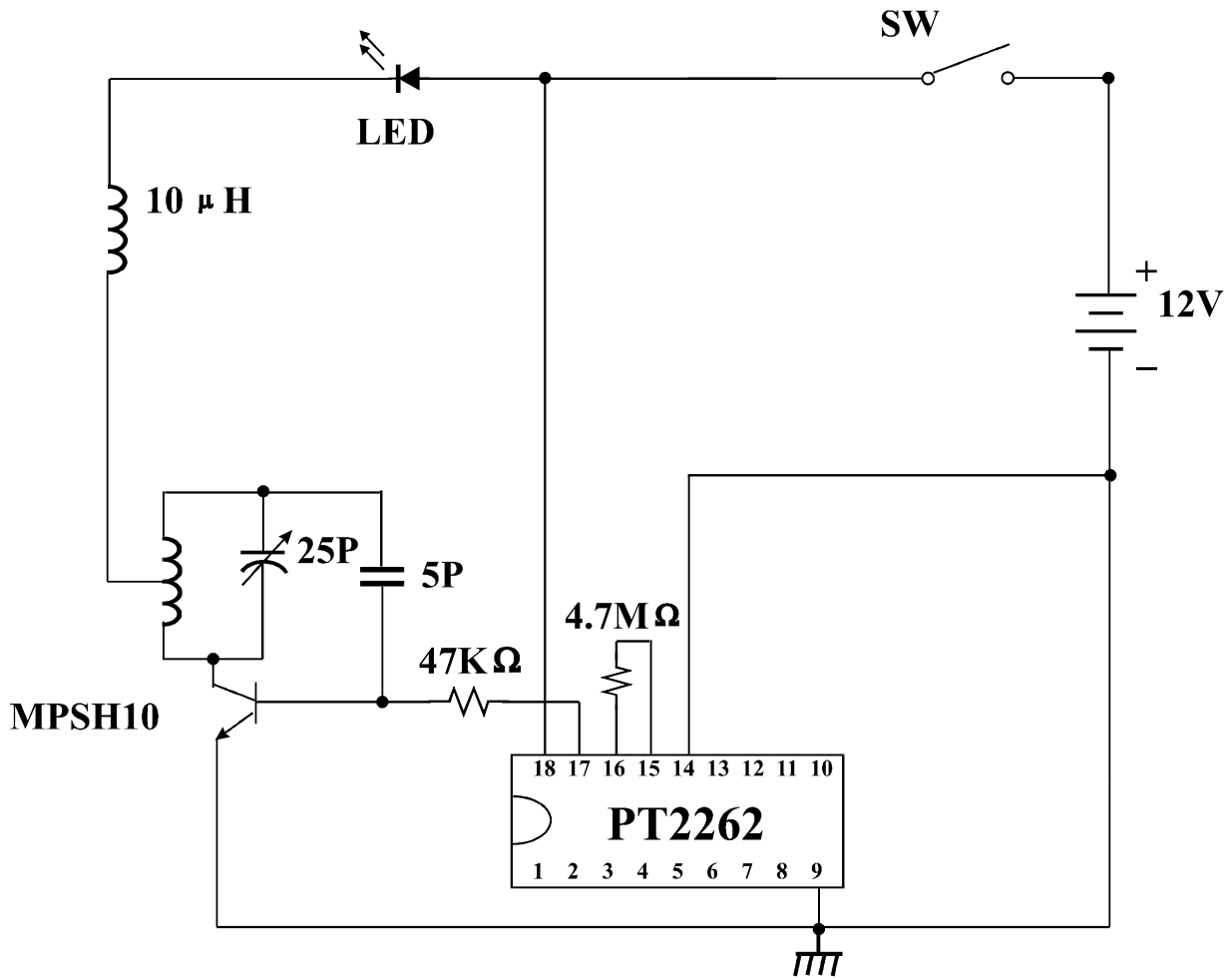
Application Circuit



UHF Band 4 Data Transmitter Circuit is recommended.



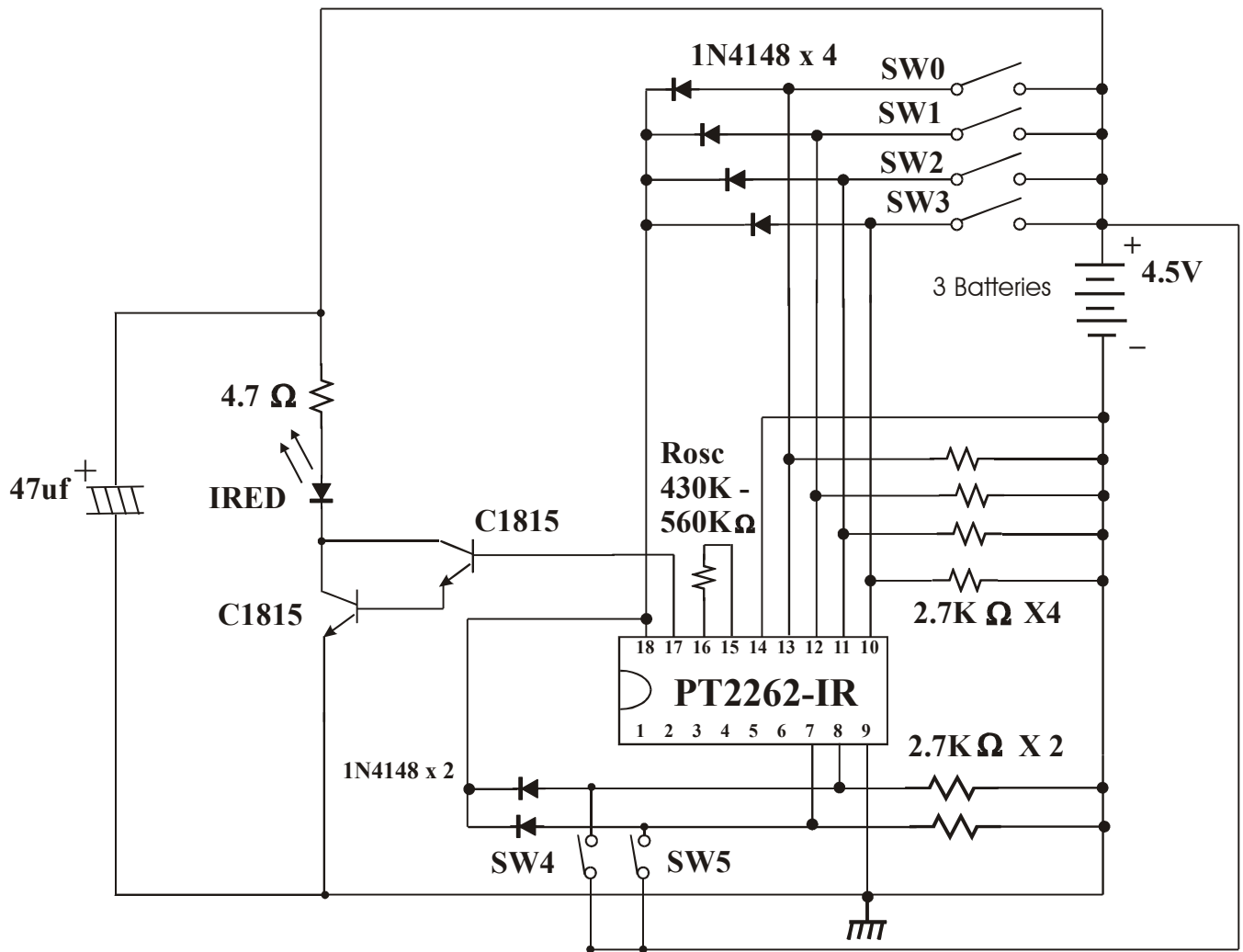
UHF Band Address-only (Zero Data) Transmitter Circuit is recommended.



UHF Band Address-only (Zero Data) Zero-Stand-by Transmitter Circuit is recommended.

Remote Control Encoder

PT2262



Infrared Ray 6-Data Circuit. Adjust Rosc to get 38 KHz Carrier Pulse at DOUT Pin is recommended.

Remote Control Encoder

PT2262

Ordering Information

Order Part Number	Package Type	Top ode
PT2262	18 Pins, DIP Package, 300mil	PT2262
PT2262-S18	18 Pins, SOP Package, 300mil	PT2262-S18
PT2262-IR	18 Pins, DIP Package, 300mil	PT2262-IR
PT2262S	20 Pins, SOP Package, 300mil	PT2262-S
PT2262-IR-S	20 Pins, SOP Package, 300mil	PT2262-IR-S