

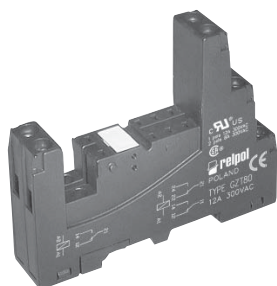
Plug-in sockets and accessories

for relays RM84, RM85, RM87L, RM87P

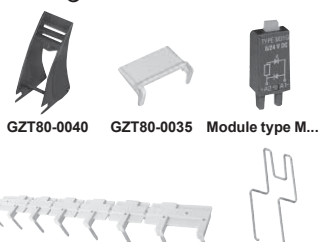
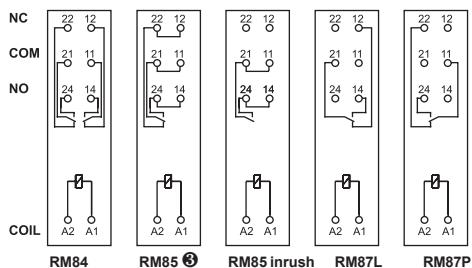
GZT80

For RM84, RM85, RM85 inrush, RM85 105 °C sensitive, RM87L, RM87L sensitive, RM87P, RM87P sensitive

Screw terminals
Maximum screw torque: 0,7 Nm
35 mm rail mount acc. to PN-EN 60715
or on panel mounting
75,3 x 15,5 x 61(67) mm [Ⓜ]
Two poles, 5 mm pinout
12 A, 300 V AC



Connection diagrams

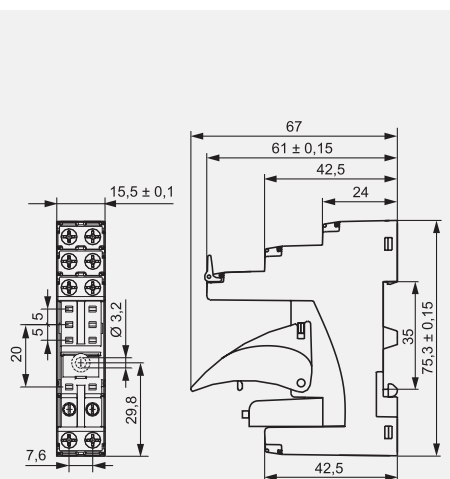


Accessories ①

ZGGZ80

GZM80-0041

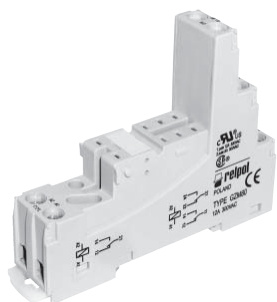
Dimensions



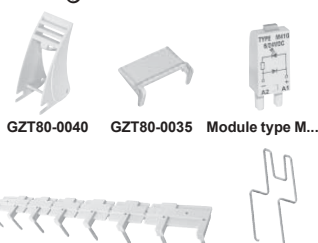
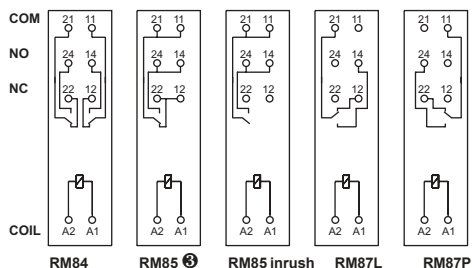
GZM80

For RM84, RM85, RM85 inrush, RM85 105 °C sensitive, RM87L, RM87L sensitive, RM87P, RM87P sensitive

Screw terminals
Maximum screw torque: 0,7 Nm
35 mm rail mount acc. to PN-EN 60715
or on panel mounting
78,1 x 15,9 x 61(66,5) mm [Ⓜ]
Two poles, 5 mm pinout
12 A, 300 V AC



Connection diagrams

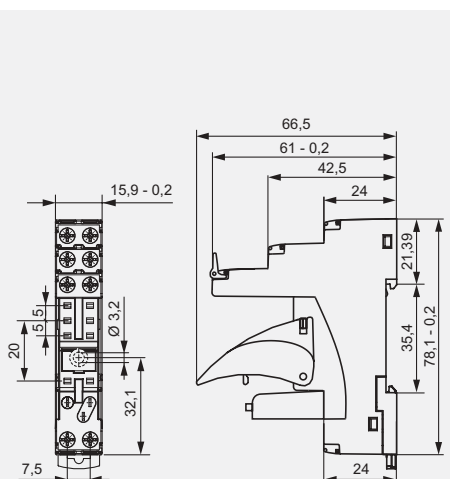


Accessories ①

ZGGZ80

GZM80-0041

Dimensions

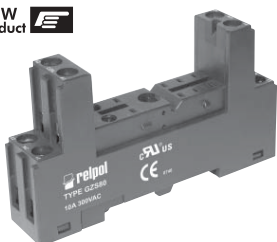


GZS80

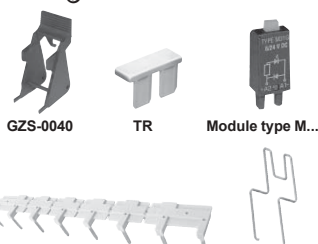
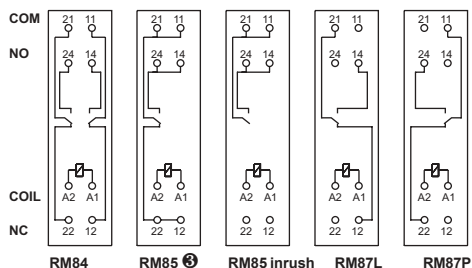
For RM84, RM85, RM85 inrush, RM85 105 °C sensitive, RM87L, RM87L sensitive, RM87P, RM87P sensitive

Screw terminals
Maximum screw torque: 0,5 Nm
35 mm rail mount acc. to PN-EN 60715
or on panel mounting
76,8 x 15,8 x 42,5(57,1) mm [Ⓜ]
Two poles, 5 mm pinout
10 A / 300 V AC

NEW product



Connection diagrams

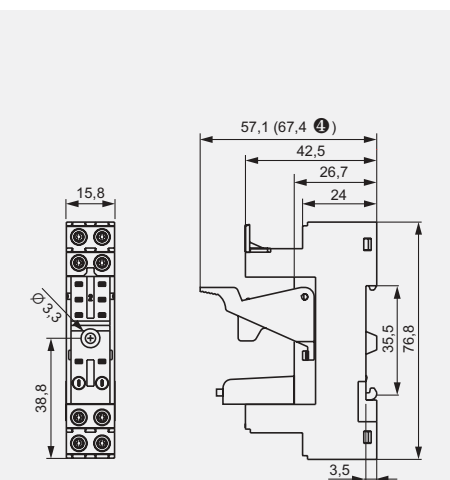


Accessories ①

ZGGZ80

GZM80-0041

Dimensions



① "Mounting and sub-assemblies of accessories in the socket" and "Signalling / protecting modules type M..." - see www.repol.com.pl - Product Guide - Type of relay - Additional information. [Ⓜ] For RM85, RM85 inrush, RM85 105 °C sensitive: loads above 12 A require bridging pairs of terminals: 11 with 21, 12 with 22, 14 with 24. [Ⓜ] In the bracket the height of socket with retainer / retractor clip is shown.

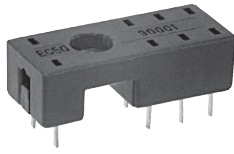
Plug-in sockets and accessories

for relays RM84, RM85, RM87L, RM87P, RM83, RM94

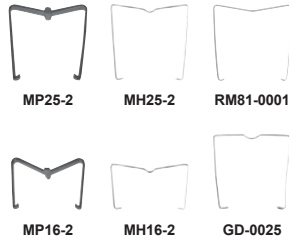
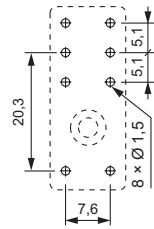
EC50

For RM84, RM85, RM85 inrush,
RM85 105 °C sensitive,
RM87L, RM87L sensitive,
RM87P, RM87P sensitive,
RM83, RM94

For PCB
31,3 x 12,7 x 9 mm
Two poles, 5 mm pinout
8 A, 300 V AC

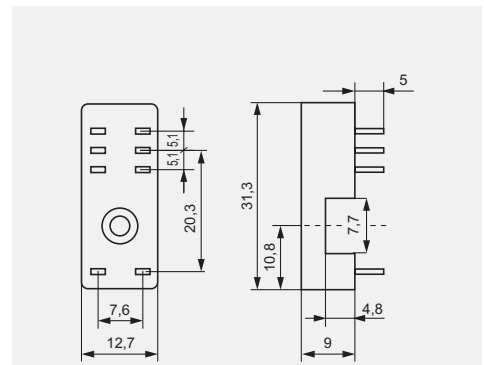


Pinout



Accessories

Dimensions



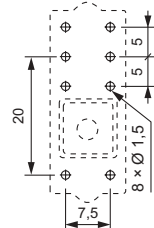
PW80

For RM84, RM85, RM85 inrush,
RM85 105 °C sensitive,
RM87L, RM87L sensitive,
RM87P, RM87P sensitive,
RM83, RM94

For PCB
34,6 x 12,9 x 6,6 mm
Two poles, 5 mm pinout
8 A, 250 V AC

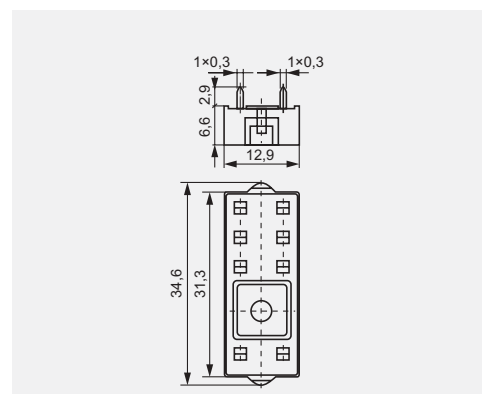


Pinout



Accessories

Dimensions

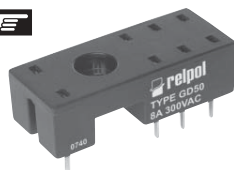


GD50

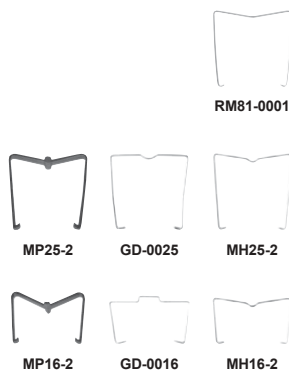
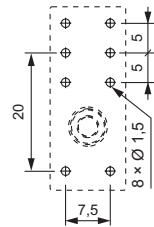
For RM84, RM85, RM85 inrush,
RM85 105 °C sensitive,
RM87L, RM87L sensitive,
RM87P, RM87P sensitive,
RM83, RM94

For PCB
31,5 x 13 x 9 mm
Two poles, 5 mm pinout
8 A, 300 V AC

NEW product

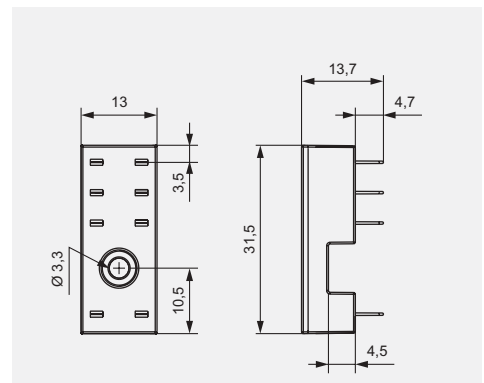


Pinout



Accessories

Dimensions

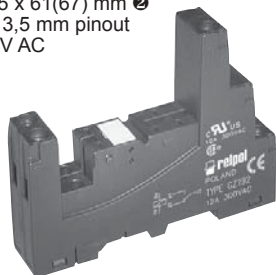


Plug-in sockets and accessories for relays RM87N

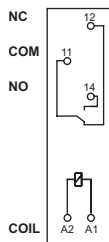
GZT92

For RM87N, RM87N sensitive

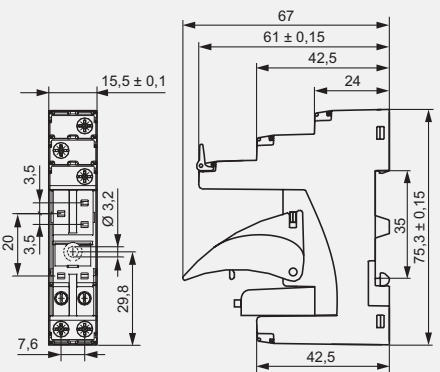
Screw terminals
Maximum screw torque: 0,7 Nm
35 mm rail mount acc. to PN-EN 60715
or on panel mounting
75,3 x 15,5 x 61(67) mm ^②
One pole, 3,5 mm pinout
12 A, 300 V AC



Connection diagram



Dimensions



Accessories ①

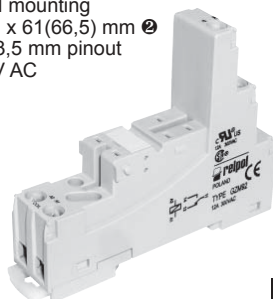
ZGGZ80

GZM80-0041

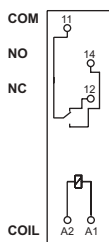
GZM92

For RM87N, RM87N sensitive

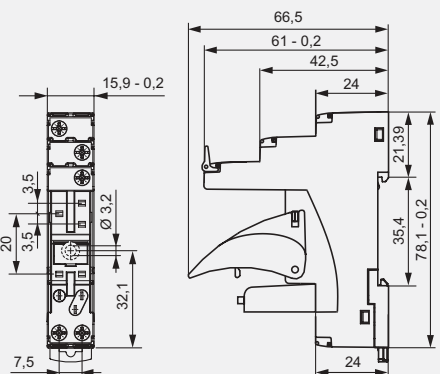
Screw terminals
Maximum screw torque: 0,7 Nm
35 mm rail mount acc. to PN-EN 60715
or on panel mounting
78,1 x 15,9 x 61(66,5) mm ^②
One pole, 3,5 mm pinout
12 A, 300 V AC



Connection diagram



Dimensions



Accessories ①

ZGGZ80

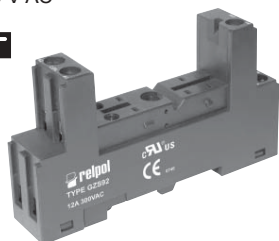
GZM80-0041

GZS92

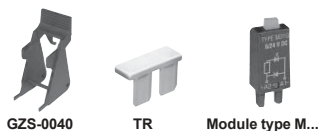
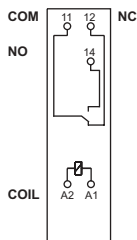
For RM87N, RM87N sensitive

Screw terminals
Maximum screw torque: 0,5 Nm
35 mm rail mount acc. to PN-EN 60715
or on panel mounting
76,8 x 15,8 x 42,5(57,1) mm ^②
One pole, 3,5 mm pinout
12 A / 300 V AC

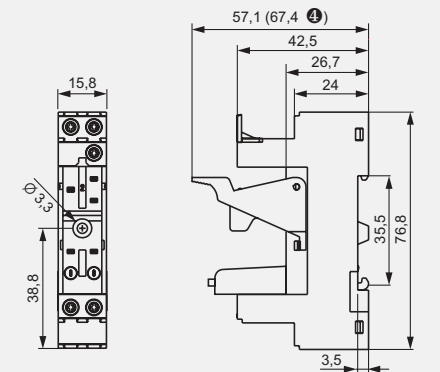
NEW product



Connection diagram



Dimensions



Accessories ①

ZGGZ80

GZM80-0041

① "Mounting and sub-assemblies of accessories in the socket" and "Signalling / protecting modules type M..." - see www.repol.com.pl - Product Guide - Type of relay - Additional information.

② In the bracket the height of socket with retainer / retractor clip is shown.

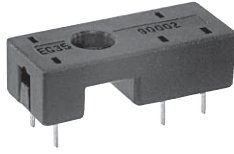
Plug-in sockets and accessories

for relays RM87N, RM92

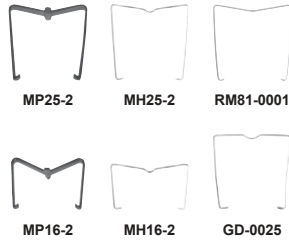
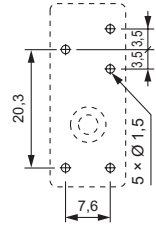
EC35

For RM87N, RM87N sensitive, RM92

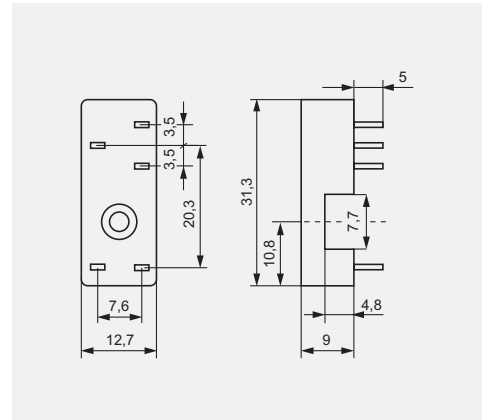
For PCB
31,3 x 12,7 x 9 mm
One pole, 3,5 mm pinout
12 A, 300 V AC



Pinout



Dimensions



Accessories

GD35

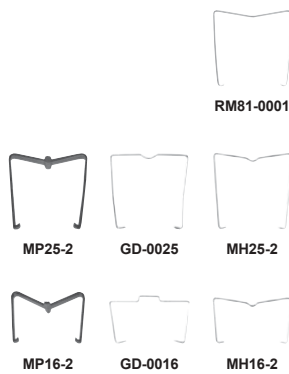
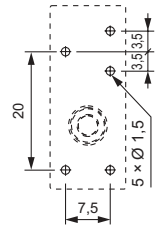
For RM87N, RM87N sensitive, RM92

For PCB
31,5 x 13 x 9 mm
One pole, 3,5 mm pinout
12 A, 300 V AC

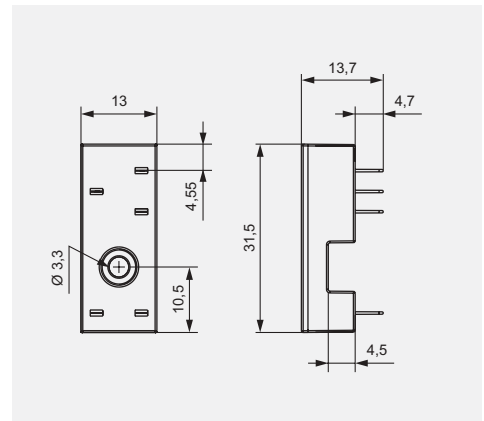
NEW product



Pinout



Dimensions



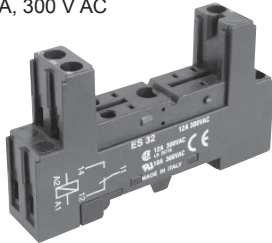
Accessories

Plug-in sockets and accessories for relays RM96

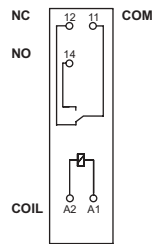
ES 32

For RM96 1 C/O

Screw terminals
Maximum screw torque: 0,5 Nm
35 mm rail mount acc. to PN-EN 60715
or on panel mounting
75 x 15,5 x 42,5(59) mm ^②
One pole, 3,2 mm pinout
12 A, 300 V AC



Connection diagram



ZGGZ80



MS16



GZM80-0041



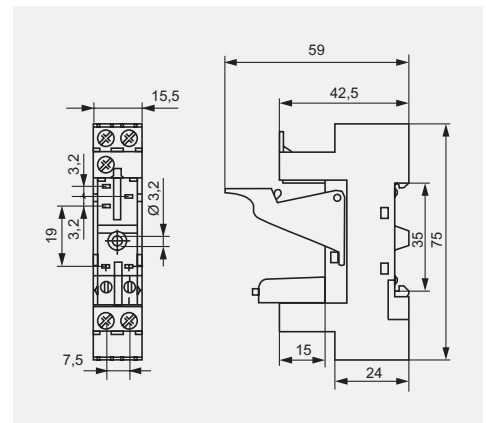
TR



Module type M...

Accessories ^①

Dimensions



^① "Mounting and sub-assemblies of accessories in the socket" and "Signalling / protecting modules type M..." - see www.repol.com.pl - Product Guide - Type of relay - Additional information.

^② In the bracket the height of socket with retainer / retractor clip is shown.

Plug-in sockets and accessories for relays R2

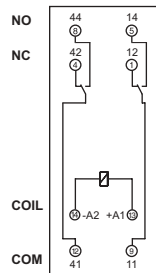
GZT2

For R2

Screw terminals
Maximum screw torque: 0,7 Nm
35 mm rail mount acc. to PN-EN 60715
or on panel mounting
76,3 x 27 x 42,5(80) mm ②
Two poles
12 A, 300 V AC



Connection diagram



ZGGZ4



GZT4-0040



G4 1052



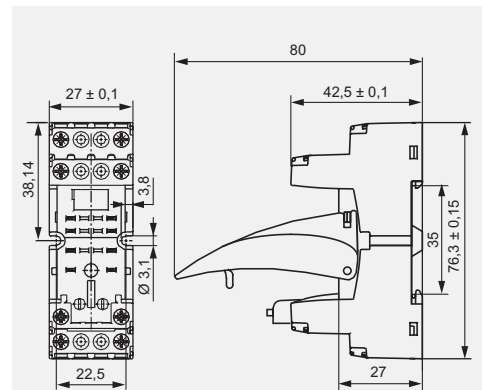
GZT4-0035



Module type M...

Accessories ①

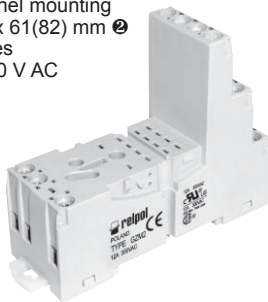
Dimensions



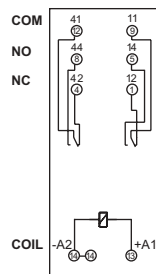
GZM2

For R2

Screw terminals
Maximum screw torque: 0,7 Nm
35 mm rail mount acc. to PN-EN 60715
or on panel mounting
75 x 27 x 61(82) mm ②
Two poles
12 A, 300 V AC



Connection diagram



ZGGZ4



GZT4-0040



G4 1052



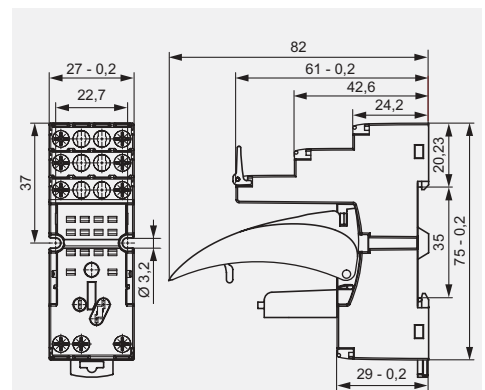
GZT4-0035



Module type M...

Accessories ①

Dimensions



① "Mounting and sub-assemblies of accessories in the socket" and "Signalling / protecting modules type M..." - see www.repol.com.pl - Product Guide - Type of relay - Additional information.

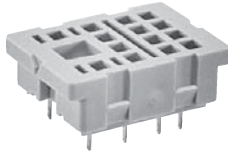
② In the bracket the height of socket with retainer / retractor clip is shown.

Plug-in sockets and accessories for relays R2

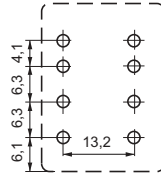
SU4/2D

For R2

For PCB
29,6 x 21,5 x 11mm
Two poles
12 A, 250 V AC



Pinout

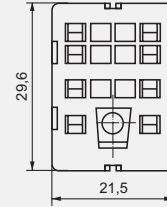
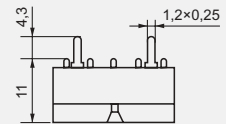


Accessories ⑥

G4 1053

G4 1050

Dimensions



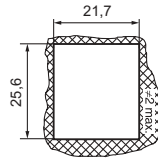
SU4/2L

For R2

Solder terminals
29,6 x 21,5 x 18,1 mm
Two poles
12 A, 250 V AC



Dimensions of opening on panel mounting



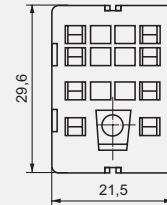
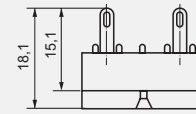
Accessories ⑥

G4 1053

G4 1050

G4 1040

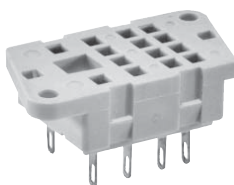
Dimensions



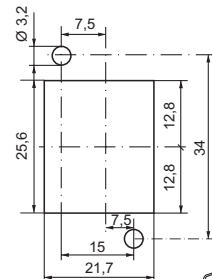
G4/2

For R2

Solder terminals
40,5 x 21,5 x 18,1 mm
Two poles
12 A, 250 V AC



Pinout of openings on panel mounting

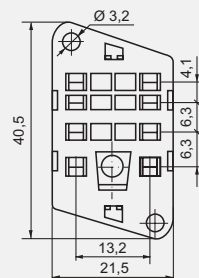
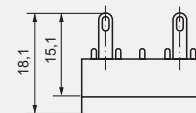


Accessories ⑥

G4 1053

G4 1050

Dimensions



⑥ G4 1053 - for R2...WT, R4...WT relays; G4 1050 - for R2, R4 without WT

Plug-in sockets and accessories for relays R3

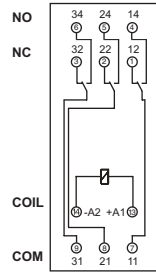
GZT3

For R3

Screw terminals
Maximum screw torque: 0,7 Nm
35 mm rail mount acc. to PN-EN 60715
or on panel mounting
76,3 x 27 x 42,5(80) mm ^②
Three poles
10 A, 300 V AC



Connection diagram



ZGGZ4



GZT4-0040



G4 1052



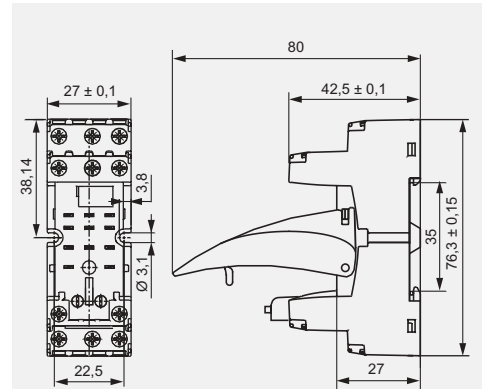
GZT4-0035



Module type M...

Accessories ^①

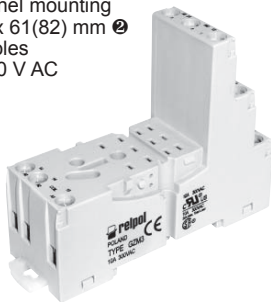
Dimensions



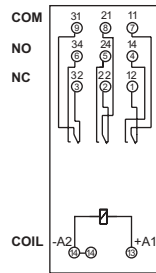
GZM3

For R3

Screw terminals
Maximum screw torque: 0,7 Nm
35 mm rail mount acc. to PN-EN 60715
or on panel mounting
75 x 27 x 61(82) mm ^②
Three poles
10 A, 300 V AC



Connection diagram



ZGGZ4



GZT4-0040



G4 1052



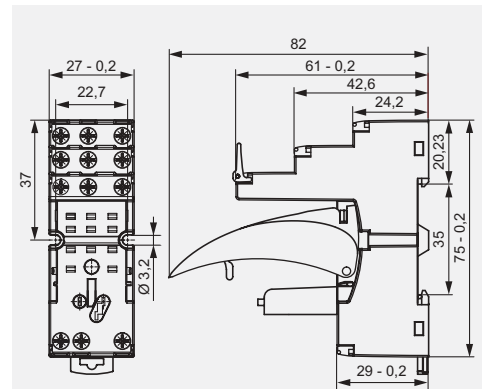
GZT4-0035



Module type M...

Accessories ^①

Dimensions



^① "Mounting and sub-assemblies of accessories in the socket" and "Signalling / protecting modules type M..." - see www.repol.com.pl - Product Guide - Type of relay - Additional information.

^② In the bracket the height of socket with retainer / retractor clip is shown.

Plug-in sockets and accessories for relays R4

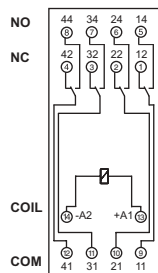
GZT4 ⑥

For R4, T-R4

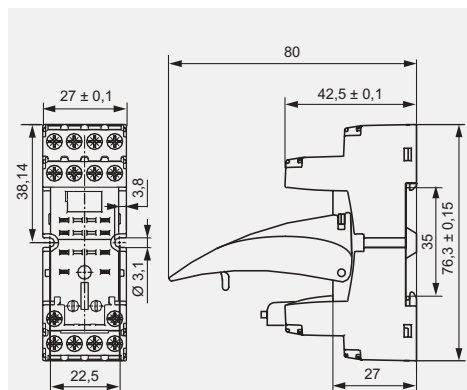
Screw terminals
Maximum screw torque: 0,7 Nm
35 mm rail mount acc. to PN-EN 60715
or on panel mounting
76,3 x 27 x 42,5(80) mm ②
Four poles
6 A, 300 V AC



Connection diagram



Dimensions

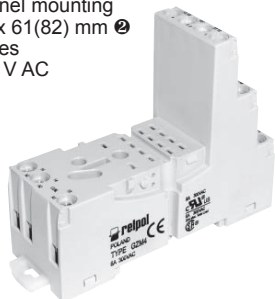


Accessories ① ⑦

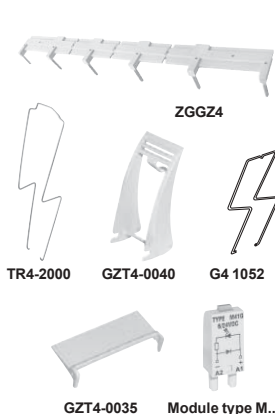
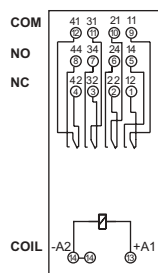
GZM4

For R4, T-R4

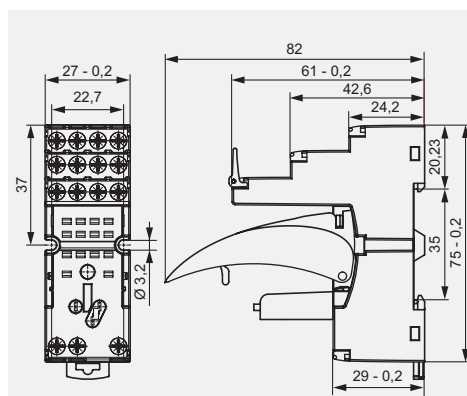
Screw terminals
Maximum screw torque: 0,7 Nm
35 mm rail mount acc. to PN-EN 60715
or on panel mounting
75 x 27 x 61(82) mm ②
Four poles
6 A, 300 V AC



Connection diagram



Dimensions

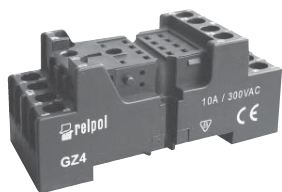


Accessories ① ⑦

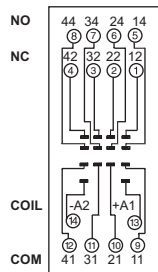
GZ4

For R4

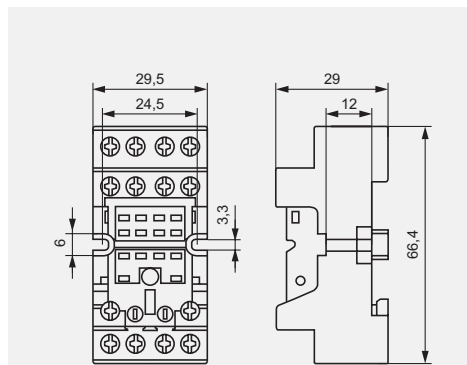
Screw terminals
Maximum screw torque: 0,7 Nm
35 mm rail mount acc. to PN-EN 60715
or on panel mounting
66,4 x 29,5 x 29 mm
Four poles
10 A, 300 V AC



Connection diagram



Dimensions



Accessories

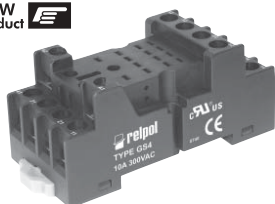
G4 1052

GS4

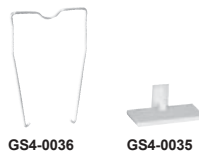
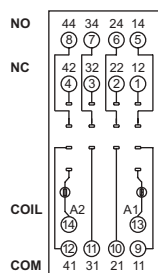
For R4

Screw terminals
Maximum screw torque: 0,7 Nm
35 mm rail mount acc. to PN-EN 60715
or on panel mounting
67 x 30,8 x 30(~63,7) mm ②
Four poles
6 A, 300 V AC

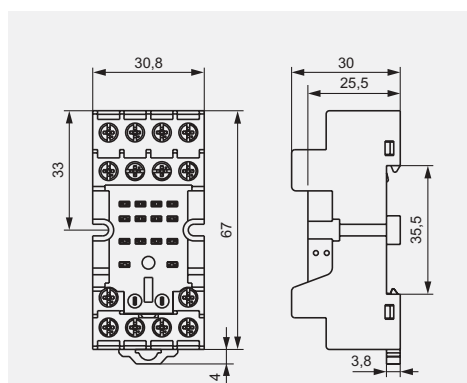
NEW product



Connection diagram



Dimensions



Accessories

GS4-0036

GS4-0035

① "Mounting and sub-assemblies of accessories in the socket" and "Signalling / protecting modules type M..." - see www.repol.com.pl - Product Guide - Type of relay - Additional information. ② In the bracket the height of socket with retainer / retractor clip is shown. ③ Have obtained LR Type Approval Certificate (Lloyd's Register). ⑦ For R4 relays: G4 1052, GZT4-0040, GZT4-0035, module type M...; for T-R4 relays: TR4-2000, GZT4-0035

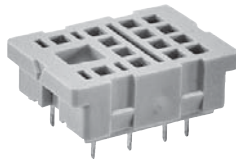
③ In the bracket the height of socket with spring wire clip is shown.

Plug-in sockets and accessories

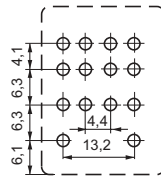
for relays R4

SU4D

For R4
For PCB
29,6 x 21,5 x 11 mm
Four poles
6 A, 250 V AC



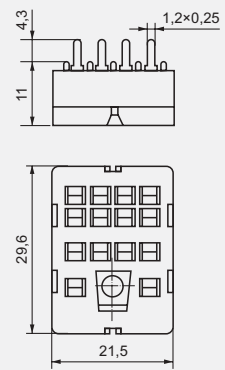
Pinout



Accessories ⑥

G4 1053 G4 1050

Dimensions

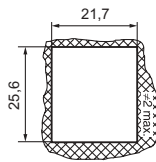


SU4L

For R4
Solder terminals
29,6 x 21,5 x 18,1 mm
Four poles
6 A, 250 V AC



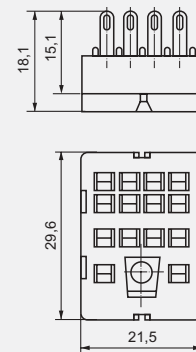
Dimensions of opening on panel mounting



Accessories ⑥

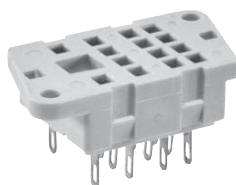
G4 1053 G4 1050 G4 1040

Dimensions

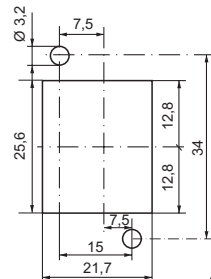


G4

For R4
Solder terminals
40,5 x 21,5 x 18,1 mm
Four poles
6 A, 250 V AC



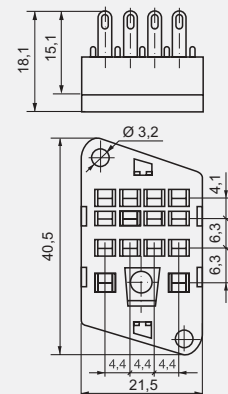
Pinout of openings on panel mounting



Accessories ⑥

G4 1053 G4 1050

Dimensions



⑥ G4 1053 - for R2...WT, R4...WT relays; G4 1050 - for R2, R4 without WT

Plug-in sockets and accessories for relays T-R4

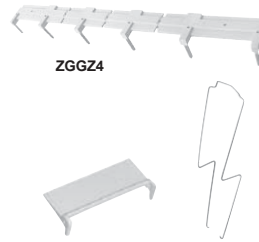
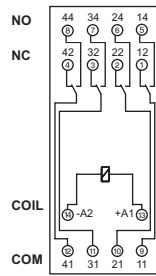
GZT4 ⑥

For R4, T-R4

Screw terminals
Maximum screw torque: 0,7 Nm
35 mm rail mount acc. to PN-EN 60715
or on panel mounting
76,3 x 27 x 42,5 mm
Four poles
6 A, 300 V AC

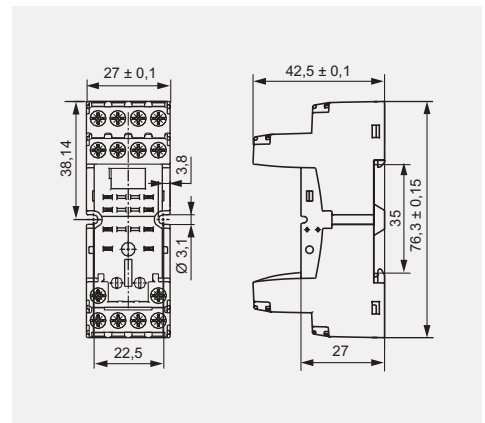


Connection diagram



ZGGZ4 TR4-2000

Dimensions

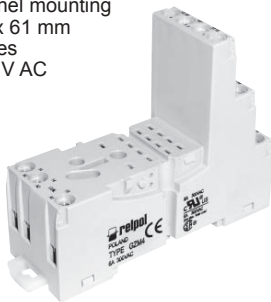


Accessories ①

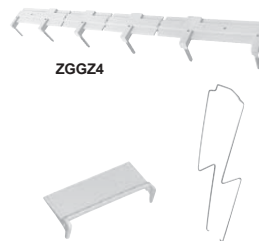
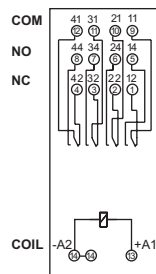
GZM4

For R4, T-R4

Screw terminals
Maximum screw torque: 0,7 Nm
35 mm rail mount acc. to PN-EN 60715
or on panel mounting
75 x 27 x 61 mm
Four poles
6 A, 300 V AC

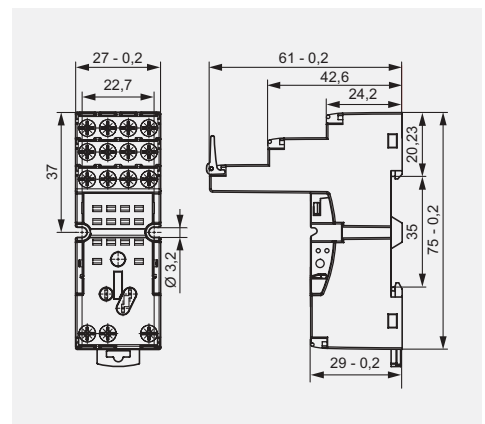


Connection diagram



ZGGZ4 TR4-2000

Dimensions



Accessories ①

① "Mounting and sub-assemblies of accessories in the socket" and "Signalling / protecting modules type M..." - see www.repol.com.pl - Product Guide - Type of relay - Additional information.

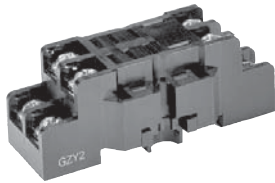
⑥ Have obtained LR Type Approval Certificate (Lloyd's Register).

Plug-in sockets and accessories for relays RY2

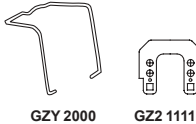
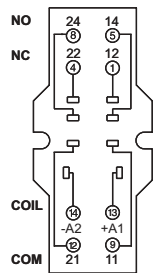
GZY2

For RY2

Screw terminals
Maximum screw torque: 0,7 Nm
35 mm rail mount acc. to PN-EN 60715
or on panel mounting
67 x 22 x 25 mm
Two poles
12 A, 250 V AC



Connection diagram

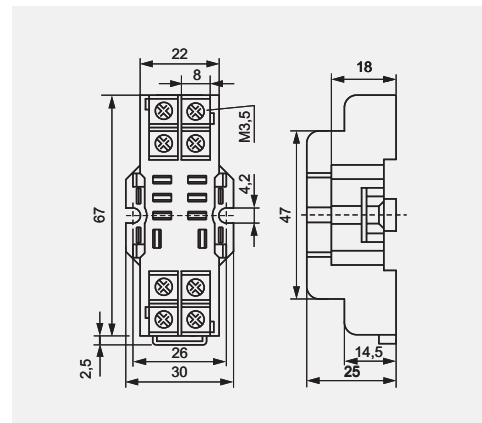


Accessories

GZY 2000

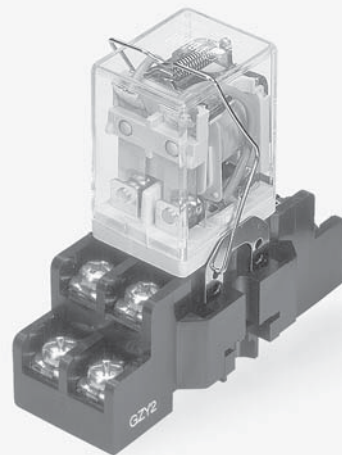
GZZ 1111

Dimensions



GZY2

Screw terminals
plug-in socket
with RY2 relay.

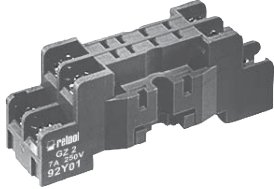


Plug-in sockets and accessories for relays R2M

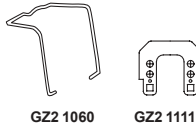
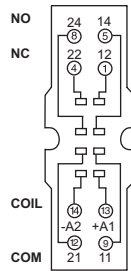
GZ2

For R2M

Screw terminals
Maximum screw torque: 0,7 Nm
35 mm rail mount acc. to PN-EN 60715
or on panel mounting
63,2 x 17 x 25 mm
Two poles
7 A, 250 V AC



Connection diagram

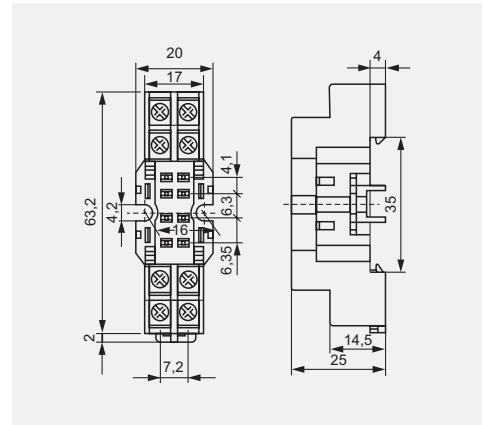


Accessories

GZ2 1060

GZ2 1111

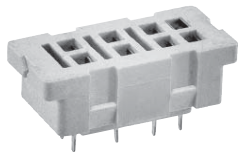
Dimensions



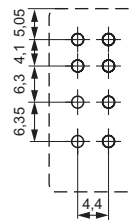
S2M

For R2M

For PCB
29,6 x 14 x 10,5 mm
Two poles
5 A, 250 V AC



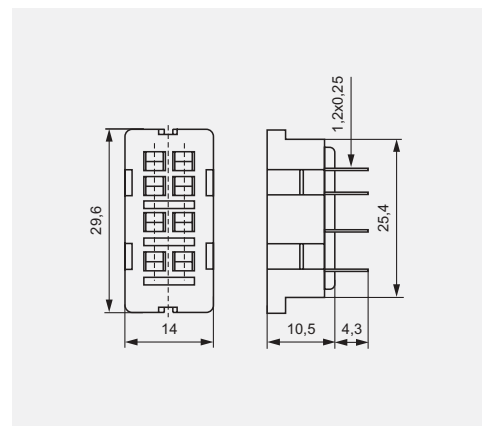
Pinout



Accessories

G4 1050

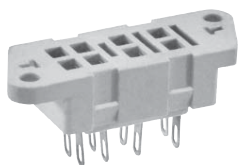
Dimensions



G2M

For R2M

Solder terminals
40,5 x 14 x 10,5 mm
Two poles
5 A, 250 V AC

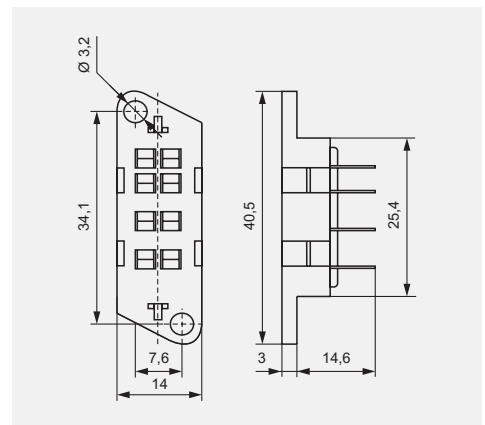


Accessories

G4 1050

G2M 1020

Dimensions



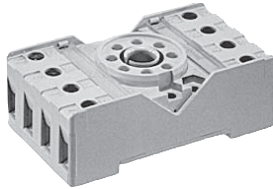
Plug-in sockets and accessories

for relays R15 2 C/O

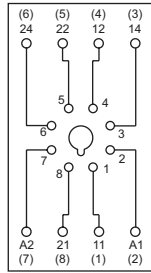
PZ8

For R15 2 C/O

Screw terminals
Maximum screw torque: 0,7 Nm
35 mm rail mount acc. to PN-EN 60715
or on panel mounting
68,2 x 38 x 24,2 mm
Two poles
10 A, 250 V AC

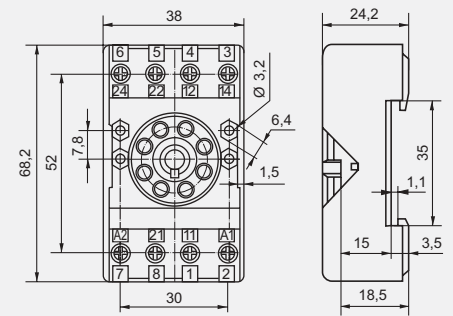


Connection diagram



PZ11 0031

Dimensions

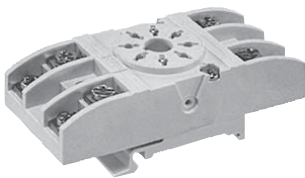


Accessories

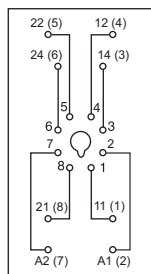
GZU8

For R15 2 C/O

Screw terminals
Maximum screw torque: 0,7 Nm
35 mm rail mount acc. to PN-EN 60715
82 x 35,5 x 25,7 mm
Two poles
10 A, 300 V AC

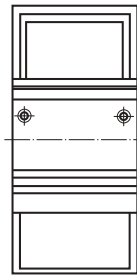


Connection diagram

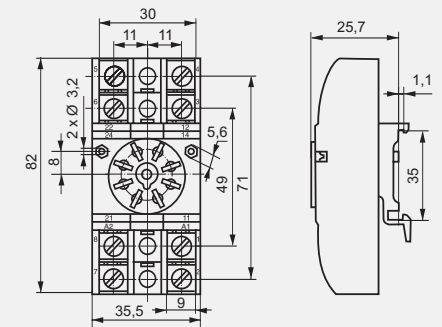


GZU 1052

Adaptor



Dimensions

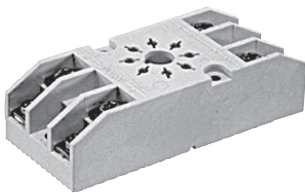


Accessories

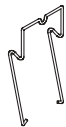
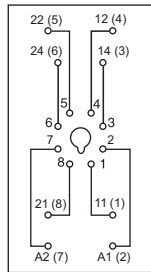
GZ8

For R15 2 C/O

Screw terminals
Maximum screw torque: 0,7 Nm
On panel mounting
82,8 x 35,5 x 22,5 mm
Two poles
10 A, 300 V AC

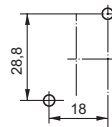


Connection diagram

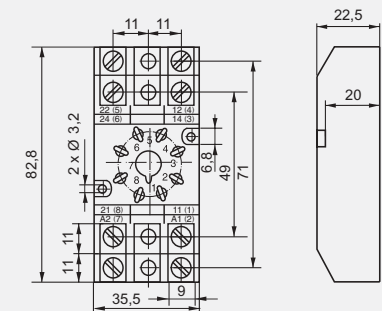


GZ 1050

Mounting dimensions



Dimensions



® Have obtained LR Type Approval Certificate (Lloyd's Register).

Plug-in sockets and accessories

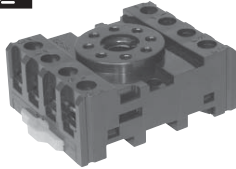
for relays R15 2 C/O

GZS8

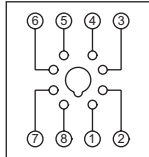
For R15 2 C/O

Screw terminals
 Maximum screw torque: 1,0 Nm
 35 mm rail mount acc. to PN-EN 60715
 or on panel mounting
 51,3 x 40,8 x 21 mm
 Two poles
 10 A, 300 V AC

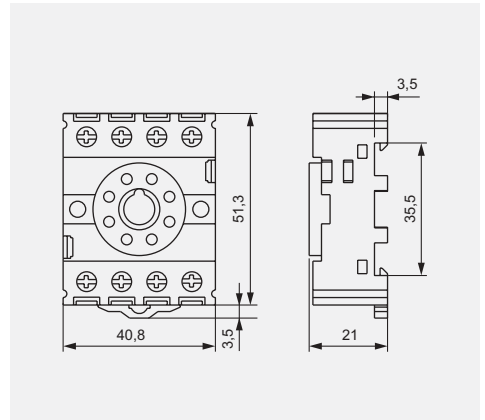
NEW product 



Connection diagram



Dimensions



GZP8

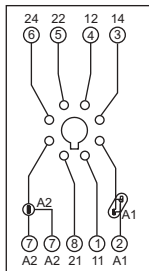
For R15 2 C/O

Screw terminals
 Maximum screw torque: 0,5 Nm
 35 mm rail mount acc. to PN-EN 60715
 or on panel mounting
 73 x 38,2 x 27,2 mm
 Two poles
 12 A, 300 V AC

NEW product 



Connection diagram



Time module T(com3)

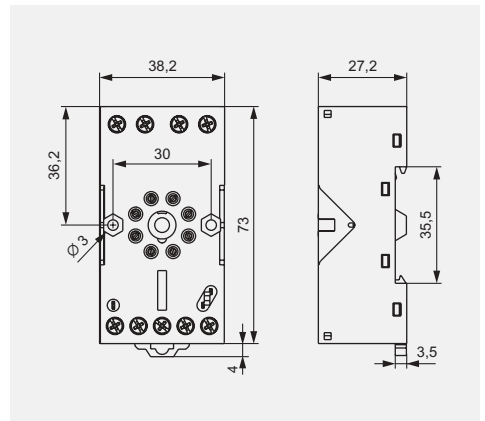


GZP-0054



GZP-0035

Dimensions



Accessories

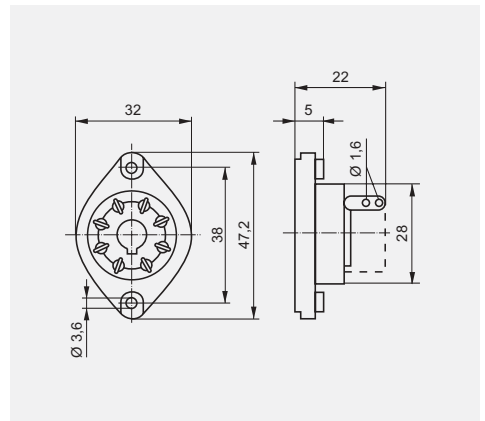
GOP8

For R15 2 C/O

Solder terminals
 47,2 x 32 x 22 mm
 Two poles
 10 A, 250 V AC



Dimensions



Accessories



R159 1051



R15 5922

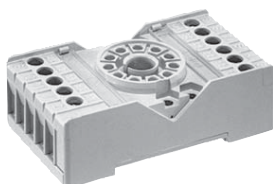
Plug-in sockets and accessories

for relays R15 3 C/O

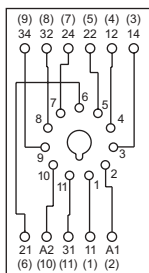
PS11 ⑥

For R15 3 C/O

Screw terminals
Maximum screw torque: 0,7 Nm
35 mm rail mount acc. to PN-EN 60715
or on panel mounting
68,2 x 38 x 24,2 mm
Three poles
10 A, 250 V AC

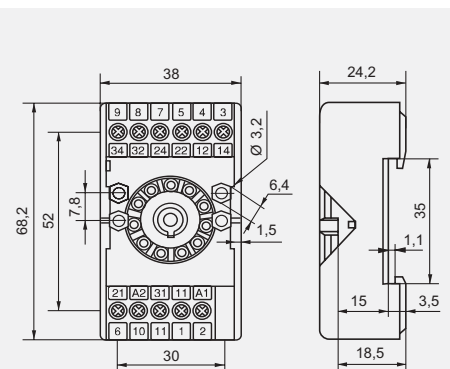


Connection diagram



PZ11 0031

Dimensions

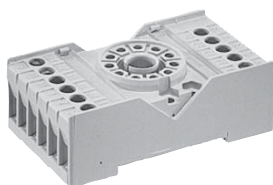


Accessories

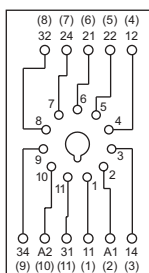
PZ11 ⑥

For R15 3 C/O

Screw terminals
Maximum screw torque: 0,7 Nm
35 mm rail mount acc. to PN-EN 60715
or on panel mounting
68,2 x 38 x 24,2 mm
Three poles
10 A, 250 V AC

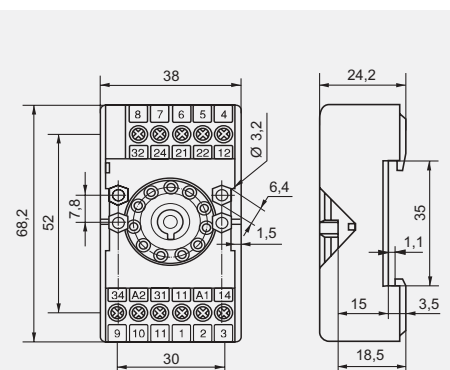


Connection diagram



PZ11 0031

Dimensions



Accessories

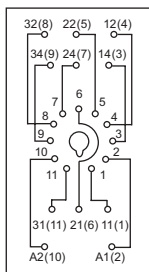
GZU11

For R15 3 C/O

Screw terminals
Maximum screw torque: 0,7 Nm
35 mm rail mount acc. to PN-EN 60715
82 x 35,5 x 25,7 mm
Three poles
10 A, 250 V AC

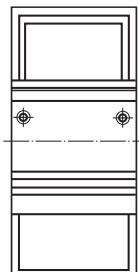


Connection diagram

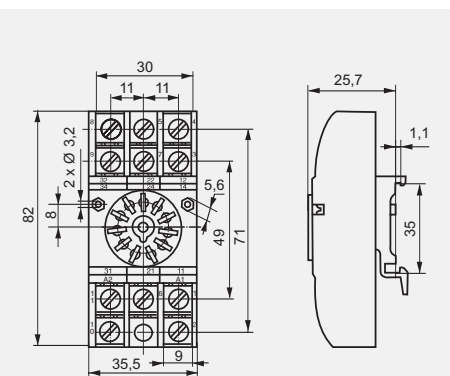


GZU 1052

Adaptor



Dimensions

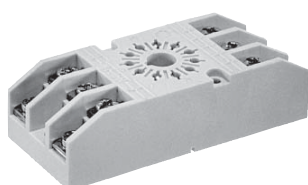


Accessories

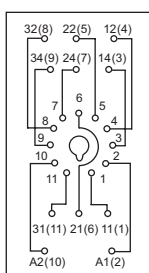
GZ11

For R15 3 C/O

Screw terminals
Maximum screw torque: 0,7 Nm
On panel mounting
82,8 x 35,5 x 22,5 mm
Three poles
10 A, 250 V AC

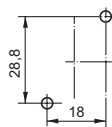


Connection diagram

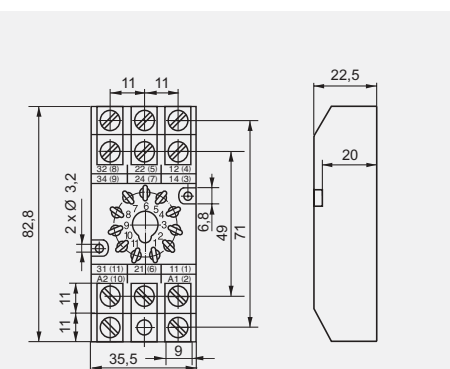


GZ 1050

Mounting dimensions



Dimensions



⑥ Have obtained LR Type Approval Certificate (Lloyd's Register).

Plug-in sockets and accessories

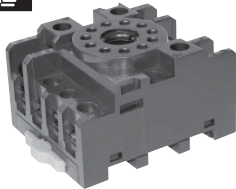
for relays R15 3 C/O

GZS11

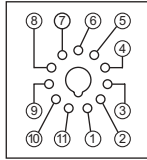
For R15 3 C/O

Screw terminals
 Maximum screw torque: 1,0 Nm
 35 mm rail mount acc. to PN-EN 60715
 or on panel mounting
 51,3 x 43 x 30 mm
 Three poles
 10 A, 300 V AC

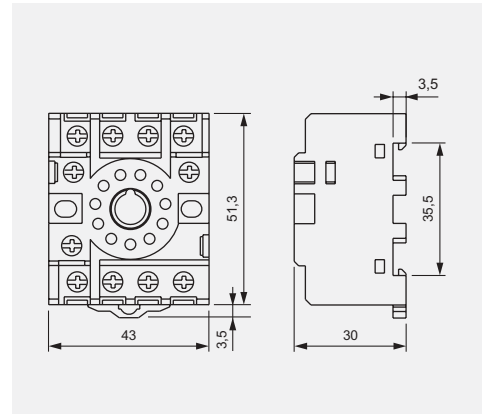
NEW product 



Connection diagram



Dimensions

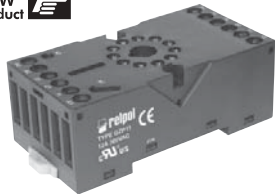


GZP11

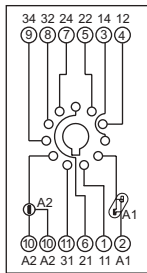
For R15 3 C/O

Screw terminals
 Maximum screw torque: 0,5 Nm
 35 mm rail mount acc. to PN-EN 60715
 or on panel mounting
 73 x 38,2 x 27,2 mm
 Three poles
 12 A, 300 V AC

NEW product 



Connection diagram



Time module T(COM3)

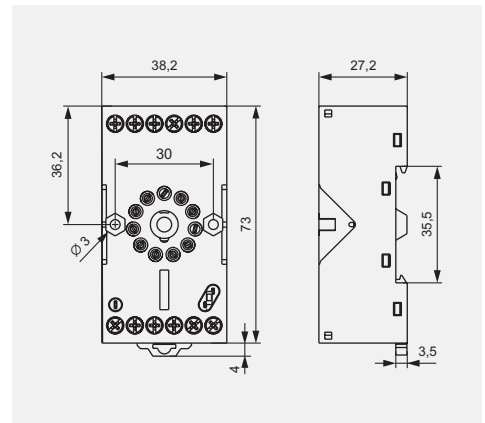


GZP-0054



GZP-0035

Dimensions



Accessories

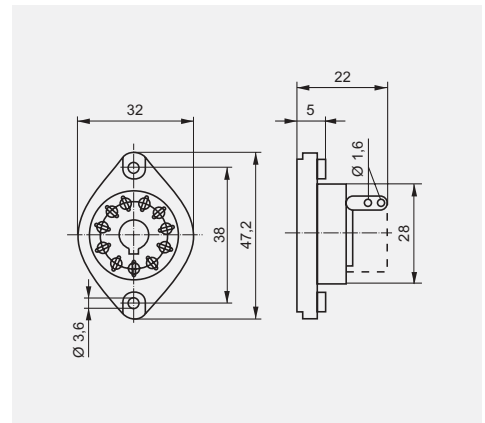
GOP11

For R15 3 C/O

Solder terminals
 47,2 x 32 x 22 mm
 Three poles
 10 A, 250 V AC



Dimensions



Accessories



R159 1051



R15 5922

Plug-in sockets and accessories

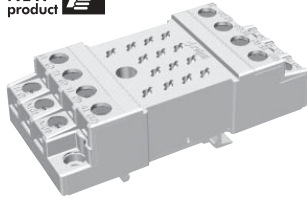
for relays R15 4 C/O

GZ14U

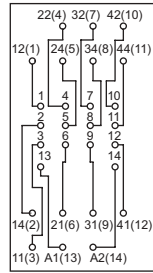
For R15 4 C/O

Screw terminals
Maximum screw torque: 0,7 Nm
35 mm rail mount acc. to PN-EN 60715
96,8 x 46,2 x 33,3 mm
Four poles
10 A, 250 V AC

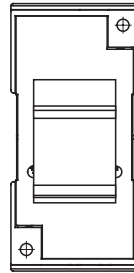
NEW product



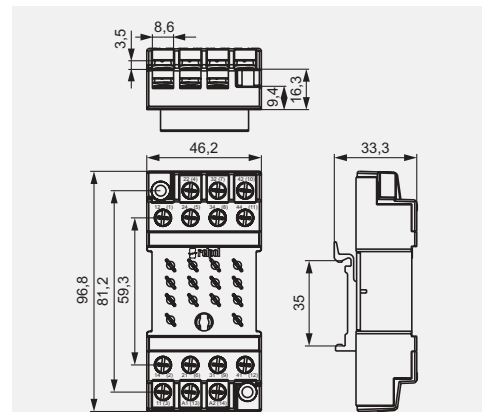
Connection diagram



Adaptor



Dimensions



Accessories

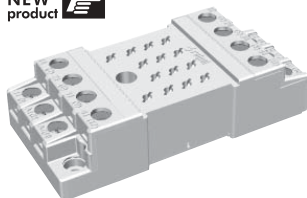
GZ14 0737

GZ14

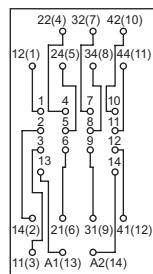
For R15 4 C/O

Screw terminals
Maximum screw torque: 0,7 Nm
On panel mounting
96,8 x 46,2 x 24,5 mm
Four poles
10 A, 250 V AC

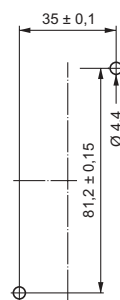
NEW product



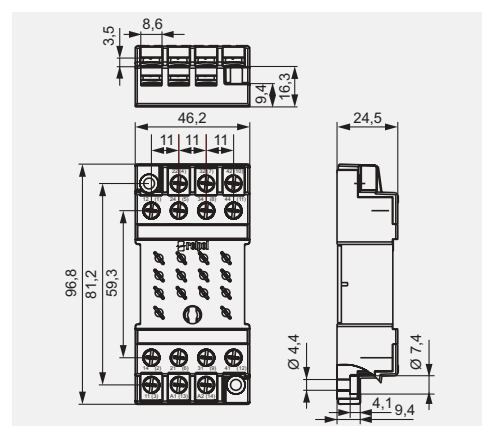
Connection diagram



Mounting dimensions



Dimensions



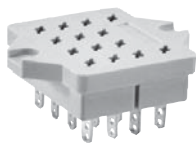
Accessories

GZ14 0737

GOP14

For R15 4 C/O

Solder terminals
50 x 42 x 23 mm
Four poles
10 A, 250 V AC



Accessories

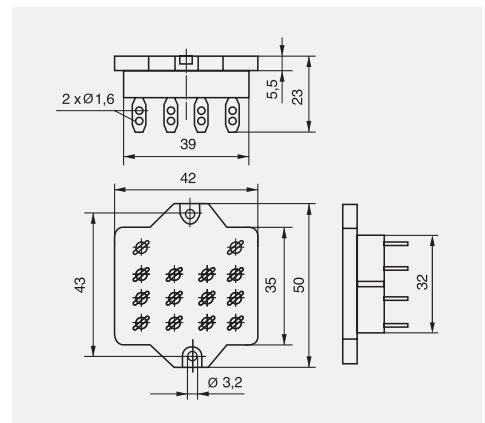


R15 0736



R15 5922

Dimensions



Plug-in sockets and accessories

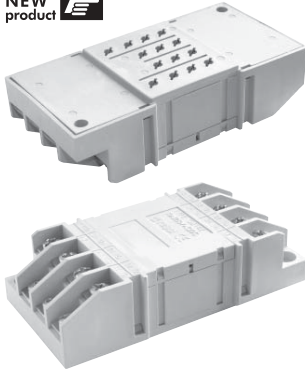
for relays R15 4 C/O

GZ14Z

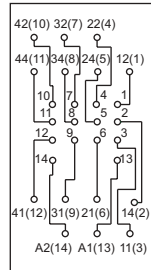
For R15 4 C/O

Screw terminals
Maximum screw torque: 0,7 Nm
On panel mounting, behind
92,2 x 46 x 23 mm
Four poles
10 A, 250 V AC

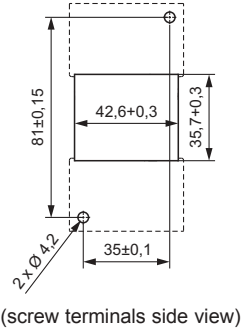
NEW product 



Connection diagram

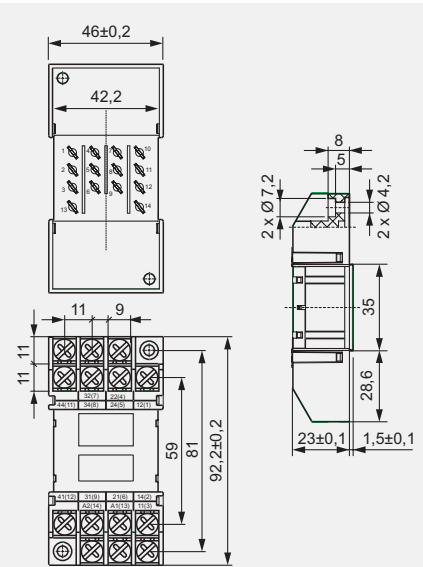


Mounting dimensions



GZ14 0737

Dimensions

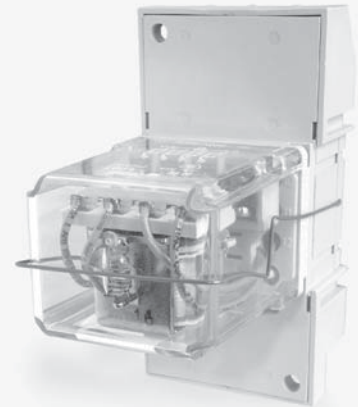


Accessories

NEW product 

GZ14Z

Screw terminals
plug-in socket
with R15 4 C/O relay,
to be mounted behind
the assembly panel.



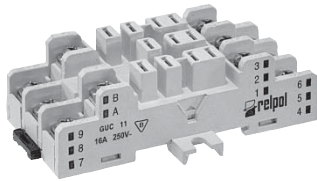
Plug-in sockets and accessories

for relays RUC, RUC-M

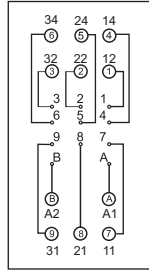
GUC11

For RUC faston 4,8x0,5, RUC-M

Screw terminals
 Maximum screw torque: 0,7 Nm
 35 mm rail mount acc. to PN-EN 60715
 or on panel mounting
 82 x 42,2 x 26,5 mm
 Three poles
 16 A, 250 V AC



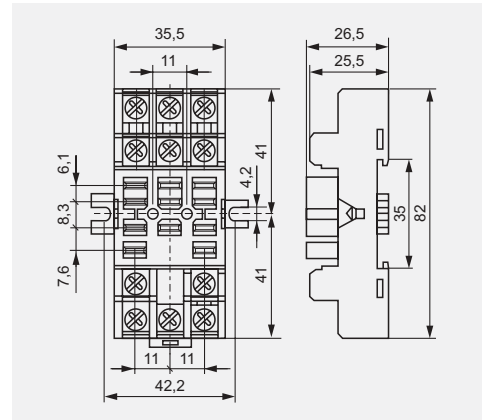
Connection diagram



MBA

Accessories

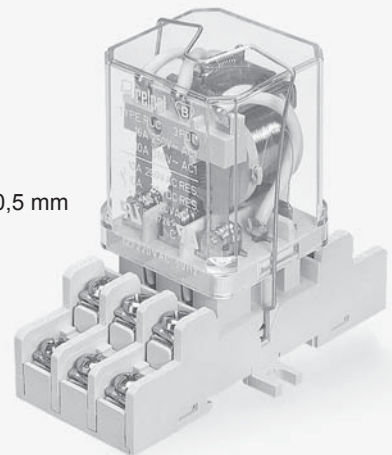
Dimensions



ⓘ For RUC faston 4,8 x 0,5 and RUC-M, with GUC11 socket, max. switching voltages and coil voltages of relays are limited to 250 V AC/DC.

GUC11

Screw terminals
 plug-in socket
 with RUC faston 4,8 x 0,5 mm
 relay.

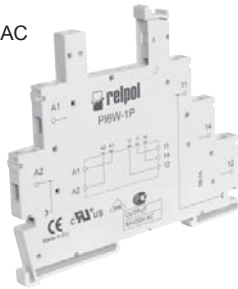


Plug-in sockets and accessories for relays RM699B

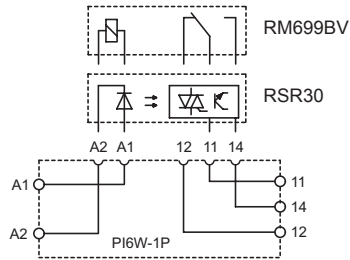
PI6W-1P

For RM699BV, RSR30 ⑩

Screw terminals
Maximum screw torque: 0,3 Nm
35 mm rail mount acc. to PN-EN 60715
98,5 x 6,2 x 85,5 mm
One pole
6 A, 250 V AC



Connection diagram

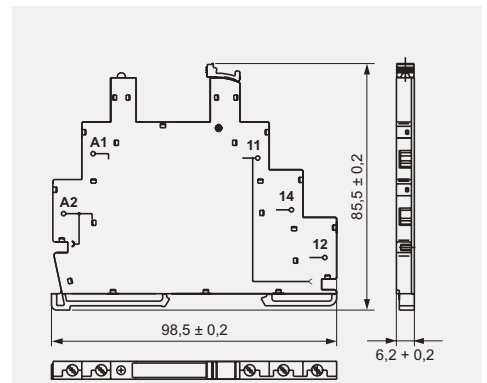


ZG20



PI6W-1246

Dimensions



Accessories

⑩ Solid state relays **RSR30** type - see catalogue "Solid state relays" and www.repol.com.pl

PI6W-1P

Screw terminals
plug-in socket
for RM699BV
or RSR30 relay.

