

[]

STK5482

[]

Thick Film Hybrid IC

TENTATIVE

Case Outline : 15 pins (See attached drawing.)

Function : Series regulator

Application : VTRs

Features : 4 outputs, output voltage select function

Absolute Maximum Ratings at Ta=25°C

		Vo1	Vo2	Vo3	Vo4	Vo5	unit
Maximum Output Current	Iomax Average	1	0.5	1	1	1	A
	Peak #1	2.5	1	2.5	2.5	2.5	A
Maximum DC Input Voltage	Vin(DC)max			30			V
Thermal Resistance	θj-c	4.5	4.5	4.5	4.5	4.5	°C/W
Operating Case Temperature	Tcmax			105			°C
Junction Temperature	Tjmax	150	150	150	150	150	°C
Storage Temperature	Tstg			-30 to +105			°C

*1: The time allowed for the peak current to flow is 0.2sec. or less.

Electrical Characteristics at Ta=25°C (See Test Circuit.)

		Vo1	Vo2	Vo3	Vo4	unit
Output Voltage Setting #2	A	15.0	5.8	12.0	5.1	V
	Condition 1	±0.3	±0.2	±0.2	±0.1	
	B	13.0	5.8	12.0	5.1	V
	Condition 1	±0.3	±0.2	±0.2	±0.1	
Output Cutoff Residual Voltage	Condition 1 #3	0.1	5.8	0.1	0.1	Vmax
Ripple Voltage	Condition 1 #4	30	10	3	3	mVppmax
Temperature Coefficient	Condition 1	0.02	0.02	0.02	0.02	%/°Cmax
Input Regulation	Condition 2	-	20	15	1	mV/Vmax
	Condition 3	30	1	1	1	mV/Vmax
	Condition 4	35	45	35	45	mV/Amax
Minimum Input-Output Voltage Difference	Condition 5	0.6	1.2	1.2	1.8	Vmax

Condition 1: V_B=33V Ripple 10mVpp
 Vin(DC)1=18V, Ripple 1.5Vpp
 Vin(DC)2=10V, Ripple 1.5Vpp

Condition A : Io1=1.15A
 Condition B : Io1=1A
 Io2=Io3=Io4=0.5A

Condition 2: V_B=33±5V
 Vin(DC)1=18V
 Vin(DC)2=10V

Condition B : Io1=1A
 Io2=Io3=Io4=0.5A

Condition 3: V_B=33V
 Vin(DC)1=14V to 22V
 Vin(DC)2=7.2V to 14V

Condition B : Io1=1A
 Io2=Io3=Io4=0.5A

Condition 4: V_B=33V
 Vin(DC)1=18V
 Vin(DC)2=10V

Condition B :
 Io1, Io3, Io4=0 to 1A (For load regulation at Io4=
 Io2=0 to 0.5A 0 to 1.5A, see separate
 reference data.)

Condition 5: V_B=33V (Condition B) Io1=1A, Io2=Io3=Io4=0.5A

*2: Pin A : Pins 12 - 15 short
 Pin B : Pin 12 open

*3: Cutoff SW of connection circuit

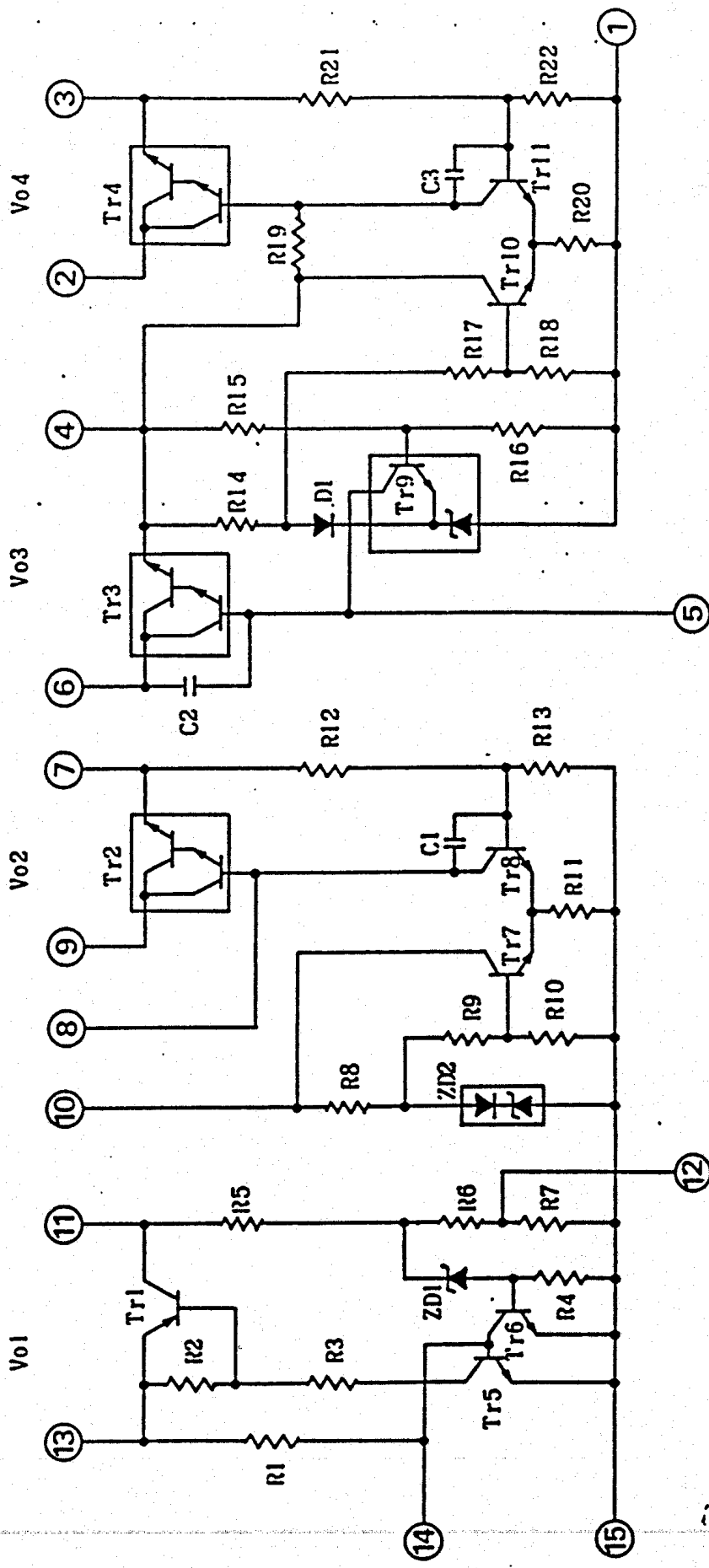
*4: Vo1 output noise

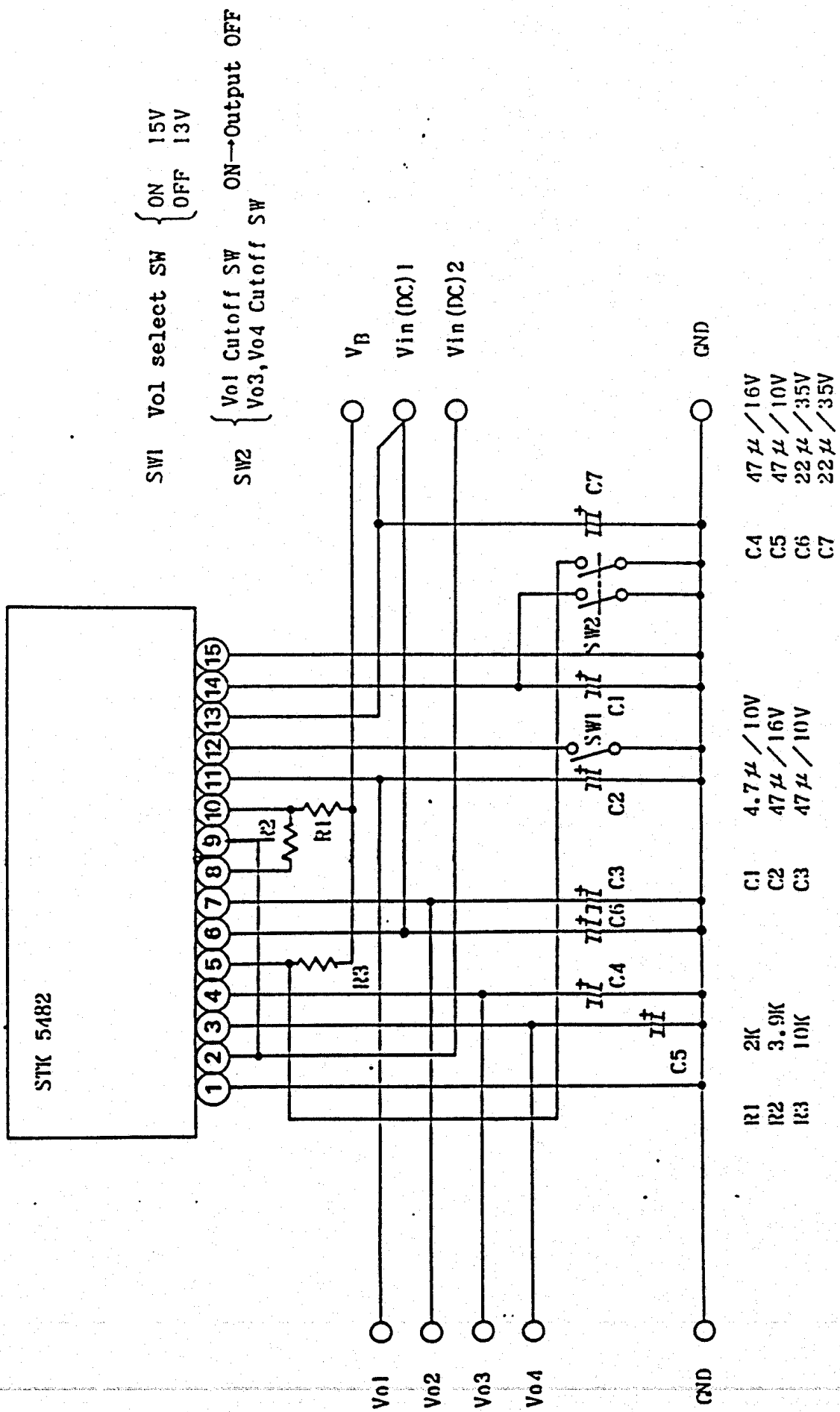
These specifications are subject to change without notice.

TOKYO SANYO ELECTRIC CO., LTD. SEMICONDUCTOR DIVISION
 15-13, 6-CHOME, SOTOKANDA, CHIYODA-KU, TOKYO 101 JAPAN

8066KI/TS STK5482-1/4

5TK5482 Internal Equivalent Circuit





- R1 2K
- R2 3.9K
- R3 10K
- C1 4.7 μ / 10V
- C2 47 μ / 16V
- C3 47 μ / 10V
- C4 47 μ / 16V
- C5 47 μ / 10V
- C6 22 μ / 35V
- C7 22 μ / 35V

Case Outline
(unit:mm)

