

MICROPROCESSOR MONITOR

FEATURES

- Precision Voltage Monitor Adjustable +4.5V or +4.75V
- Reset Pulse Width 250msec Min
- No External Components
- Adjustable Watchdog Timer 150msec, 600msec or 1.2sec
- Debounced Manual Reset Input for External Override

APPLICATIONS

- Computers
- Controllers
- Intelligent Instruments
- Automotive Systems
- Critical μ P Power Monitoring

ORDERING INFORMATION

Part No.	Package	Temp. Range
TC1232COA	8-Pin SOIC	0°C to +70°C
TC1232COE	16-Pin SOIC (Wide)	0°C to +70°C
TC1232CPA	8-Pin PDIP	0°C to +70°C
TC1232EOA	8-Pin SOIC	-40°C to +85°C
TC1232EOE	16-Pin SOIC (Wide)	-40°C to +85°C
TC1232EPA	8-Pin PDIP	-40°C to +85°C

GENERAL DESCRIPTION

The TC1232 is a fully-integrated processor supervisor. It provides three important functions to safeguard processor sanity: precision power on/off reset control, watchdog timer and external reset override.

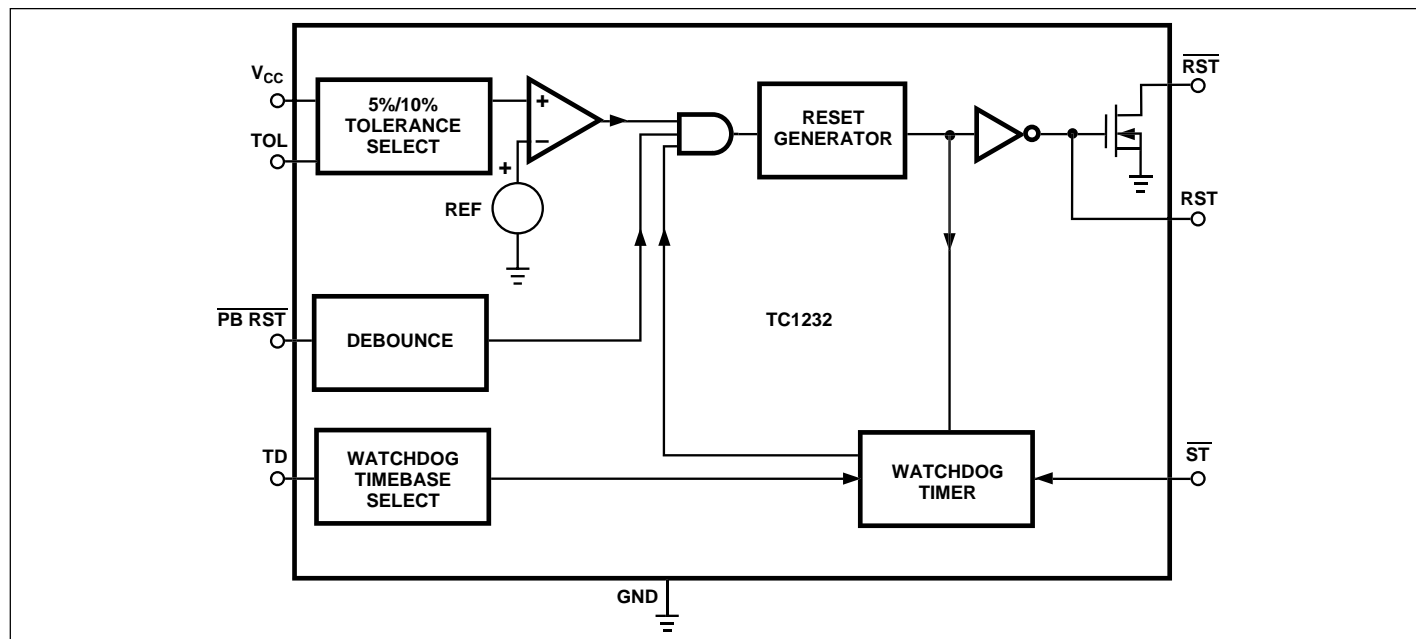
On power-up, the TC1232 holds the processor in the reset state for a minimum of 250msec after V_{CC} is within tolerance to ensure a stable system start-up.

Microprocessor sanity is monitored by the on-board watchdog circuit. The microprocessor must provide a periodic low-going signal on the \overline{ST} input. Should the processor fail to supply this signal within the selected time-out period (150msec, 600msec or 1200msec), an out-of-control processor is indicated and the TC1232 issues a processor reset as a result.

The outputs of the TC1232 are immediately driven active when the PB input is brought low by an external push-button switch or other electronic signal. When connected to a push-button switch, the TC1232 provides contact debounce.

The TC1232 is packaged in a space-saving 8-pin plastic DIP or SOIC package and requires no external components.

FUNCTIONAL BLOCK DIAGRAM



TC1232

ABSOLUTE MAXIMUM RATINGS*

Voltage on Any Pin (With Respect to GND) – 0.3V to +5.8V
 Operating Temperature Range:
 TC1232C 0°C to +70°C
 TC1232E – 40°C to + 85°C
 Storage Temperature Range – 65°C to +150°C
 Lead Temperature (Soldering, 10 sec) +300°C

*Stresses beyond those listed under "Absolute Maximum Ratings" may cause permanent damage to the device. These are stress ratings only, and functional operation of the device at these or any other conditions beyond those indicated in the operational sections of the specifications is not implied. Exposure to absolute maximum rating conditions for extended periods may affect device reliability.

DC ELECTRICAL CHARACTERISTICS: $T_A = T_{MIN}$ to T_{MAX} ; $V_{CC} = +4.5V$ to $5.5V$, unless otherwise specified.

Symbol	Parameter	Test Conditions	Min	Typ	Max	Unit
V_{CC}	Supply Voltage		4.5	5.0	5.5	V
V_{IH}	\overline{ST} and $\overline{PB RST}$ Input High Level	Note 1	2.0	—	$V_{CC} + 0.3$	V
V_{IL}	\overline{ST} and $\overline{PB RST}$ Input Low Level		– 0.3	—	+0.8	V
I_L	Input Leakage \overline{ST} , TOL		– 1.0	—	+1.0	μA
I_{OH}	Output Current RST	$V_{OH} = 2.4V$	– 1.0	–12	—	mA
I_{OL}	Current RST, \overline{RST}	$V_{OL} = 0.4V$	2.0	10	—	mA
I_{CC}	Operating Current	Note 2	—	50	200	μA
V_{CCTP}	V_{CC} 5% Trip Point (Note 3)	TOL = GND	4.50	4.62	4.74	V
V_{CCTP}	V_{CC} 10% Trip Point (Note 3)	TOL = V_{CC}	4.25	4.37	4.49	V

CAPACITANCE (Note 4): $T_A = +25^\circ C$

Symbol	Parameters	Test Conditions	Min	Typ	Max	Units
C_{IN}	Input Capacitance \overline{ST} , TOL		—	—	5	pF
C_{OUT}	Output Capacitance RST, \overline{RST}		—	—	7	pF

AC ELECTRICAL CHARACTERISTICS: $T_A = T_{MIN}$ to T_{MAX} ; $V_{CC} = +5V$ to $\pm 10\%$, unless otherwise specified.

Symbol	Parameters	Test Conditions	Min	Typ	Max	Units
t_{PB}	$\overline{PB RST}$ (Note 5)	Figure 3	20	—	—	msec
t_{PBD}	$\overline{PB RST}$ Delay	Figure 3	1	4	20	msec
t_{RST}	Reset Active Time		250	610	1000	msec
t_{ST}	\overline{ST} Pulse Width	Figure 4	20	—	—	nsec
t_{TD}	\overline{ST} Time-out Period	Figure 4				
		TD Pin = 0V	62.5	150	250	msec
		TD Pin = Open	250	600	1000	msec
		TD Pin = V_{CC}	500	1200	2000	msec
t_F	V_{CC} Fall Time (Note 4)	Figure 5	10	—	—	μsec

MICROPROCESSOR MONITOR

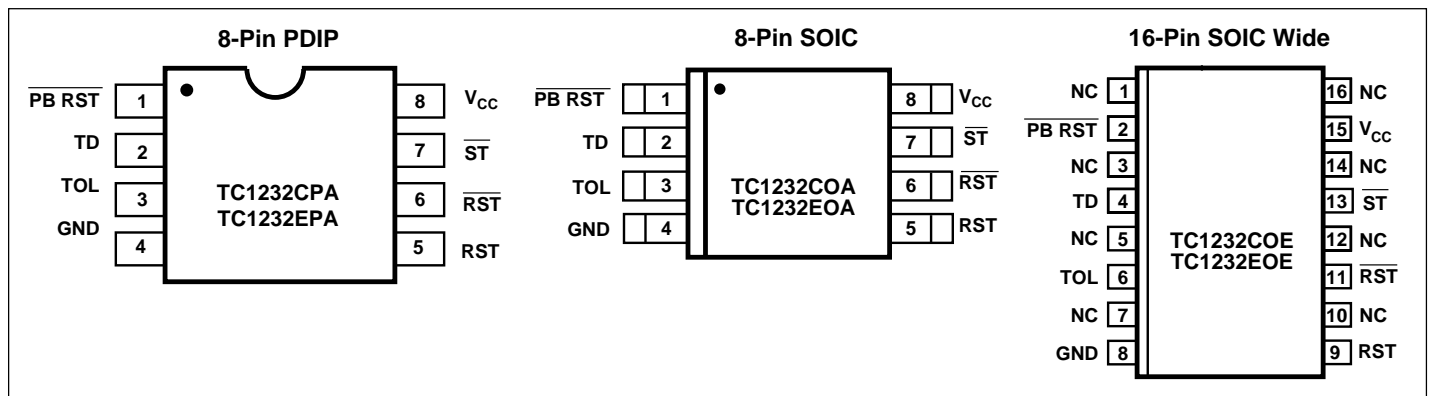
TC1232

AC ELECTRICAL CHARACTERISTICS: (Cont.) $T_A = T_{MIN}$ to T_{MAX} ; $V_{CC} = +5V$ to $\pm 10\%$, unless otherwise specified.

Symbol	Parameter	Test Conditions	Min	Typ	Max	Units
t_R	V_{CC} Rise Time (Note 4)	Figure 6	0	—	—	μsec
t_{RPD}	V_{CC} Detect to RST High and RST Low	Figure 7, V_{CC} Falling	—	—	100	nsec
t_{RPU}	V_{CC} Detect to RST High and RST Open (Note 6)	Figure 8, V_{CC} Rising	250	610	1000	msec

- NOTES:**
1. $\overline{\text{PB RST}}$ is internally pulled up to V_{CC} with an internal impedance of typically 40k Ω .
 2. Measured with outputs open.
 3. All voltages referenced to GND.
 4. Guaranteed by design.
 5. $\overline{\text{PB RST}}$ must be held low for a minimum of 20msec to guarantee a reset.
 6. $t_R = 5\mu\text{sec}$.

PIN CONFIGURATIONS



PIN DESCRIPTION

Pin No. (8-Pin PDIP)	Pin No. (8-Pin SOIC)	Pin No. (16-Pin SOIC)	Symbol	Description
1	1	2	$\overline{\text{PB RST}}$	Push-button Reset Input. A debounced active-low input that ignores pulses less than 1msec in duration and is guaranteed to recognize inputs of 20msec or greater.
2	2	4	TD	Time Delay Set. The watchdog time-out select input ($t_{TD} = 150\text{msec}$ for TD = 0V, $t_{TD} = 600\text{msec}$ for TD = open, $t_{TD} = 1.2\text{sec}$ for TD = V_{CC}).
3	3	6	TOL	Tolerance Input. Connect to GND for 5% tolerance or to V_{CC} for 10% tolerance.
4	4	8	GND	Ground.
5	5	9	RST	Reset Output (Active High) - goes active: <ol style="list-style-type: none"> 1. If V_{CC} falls below the selected reset voltage threshold 2. If $\overline{\text{PB RST}}$ is forced low 3. If $\overline{\text{ST}}$ is not strobed within the minimum time-out period 4. During power-up
6	6	11	$\overline{\text{RST}}$	Reset Output (Active Low, Open Drain) - see RST.
7	7	13	$\overline{\text{ST}}$	Strobe Input. Input for watchdog timer.
8	8	15	V_{CC}	The +5V Power-Supply Input.
		1, 3, 5, 7, 10, 12, 14, 16	NC	No Internal Connection.

TC1232

DETAILED DESCRIPTION

Power Monitor

The TC1232 detects out-of-tolerance power supply conditions and warns a processor-based system of an impending power failure. When V_{CC} is detected as below the preset level defined by TOL, the V_{CC} comparator outputs the signals \overline{RST} and RST . If TOL is connected to ground, the RST and \overline{RST} signals become active as V_{CC} falls below 4.75 volts. If TOL is connected to V_{CC} , the RST and \overline{RST} become active as V_{CC} falls below 4.5 volts. Because the processing is stopped at the last possible moment of valid V_{CC} , the RST and \overline{RST} are excellent control signals for a μP . The reset outputs will remain in their active states until V_{CC} has been continuously in-tolerance for a minimum of 250msec allowing the power supply and μP to stabilize before \overline{RST} is released.

Push-button Reset Input

The debounced manual reset input ($\overline{PB RST}$) manually forces the reset outputs into their active states. Once $\overline{PB RST}$ has been low for a time t_{PBD} , the push-button delay time, the reset outputs go active. The reset outputs remain in their active states for a minimum of 250msec after $\overline{PB RST}$ rises above V_{IH} (Figure 3).

A mechanical push-button or active logic signal can drive the $\overline{PB RST}$ input. The debounced input ignores input pulses less than 1msec and is guaranteed to recognize pulses of 20msec or greater. No external pull-up resistor is required because the $\overline{PB RST}$ input has an internal pull-up to V_{CC} of approximately 100 μA .

Watchdog Timer

When the \overline{ST} input is not stimulated for a preset time period, the watchdog timer function forces RST and \overline{RST} signals to the active state. The preset time period is determined by the \overline{TD} inputs to be 150msec with TD connected to ground, 600msec with TD floating, or 1200msec with TD connected to V_{CC} , typical. The watchdog timer starts timing out from the set time period as soon as RST and \overline{RST} are inactive. If a high-to-low transition occurs on the ST input pin prior to time-out, the watchdog timer is reset and begins to time-out again. If the watchdog timer is allowed to time-out, then the RST and \overline{RST} signals are driven to the active state for 250msec minimum (Figure 2).

The software routine that strobes \overline{ST} is critical. The code must be in a section of software that is executed frequently enough so the time between toggles is less than the watchdog time-out period. One common technique controls the μP I/O line from two sections of the program. The software might set the I/O line high while operating in

the foreground mode and set it low while in the background or interrupt mode. If both modes do not execute correctly, the watchdog timer issues reset pulses.

Supply Monitor Noise Sensitivity

The TC1232 is optimized for fast response to negative-going changes in V_{DD} . Systems with an inordinate amount of electrical noise on V_{DD} (such as systems using relays), may require a 0.01 μF or 0.1 μF bypass capacitor to reduce detection sensitivity. This capacitor should be installed as close to the TC1232 as possible to keep the capacitor lead length short.

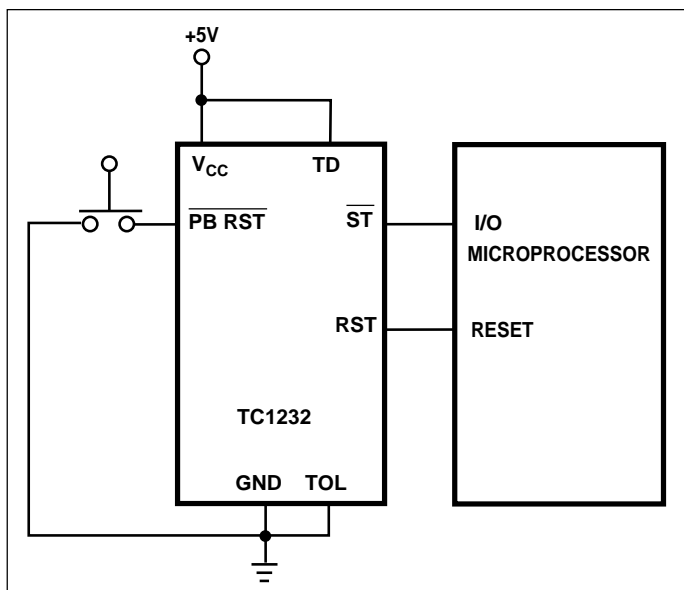


Figure 1. Push-button Reset

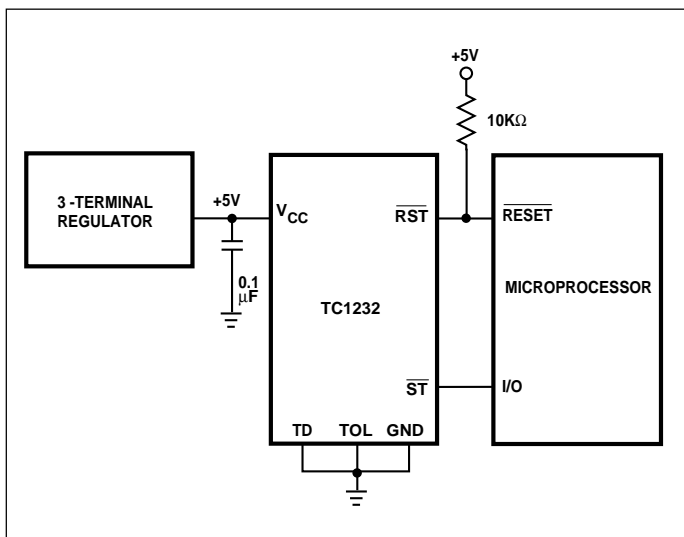


Figure 2. Watchdog Timer

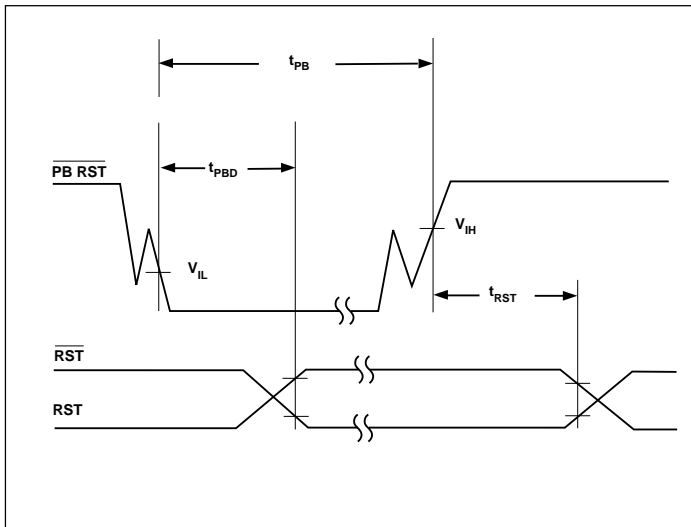


Figure 3. Push-button Reset. The debounced $\overline{\text{PB RST}}$ input ignores input pulses less than 1msec and is guaranteed to recognize pulses of 20msec or greater

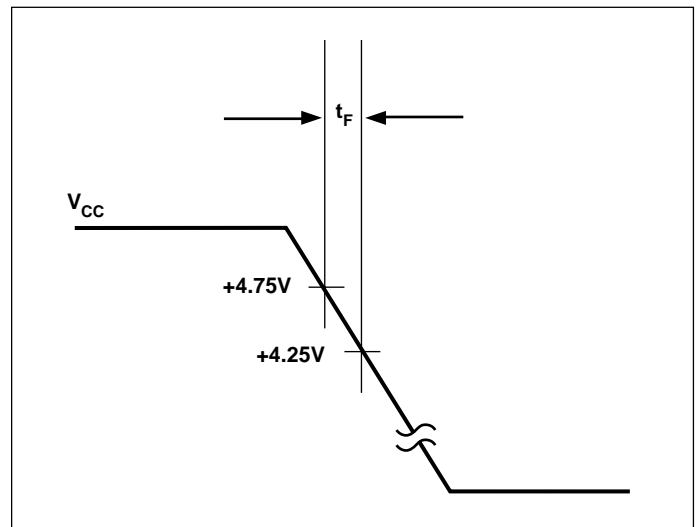


Figure 5. Power-Down Slew Rate

PUSH-BUTTON RESET

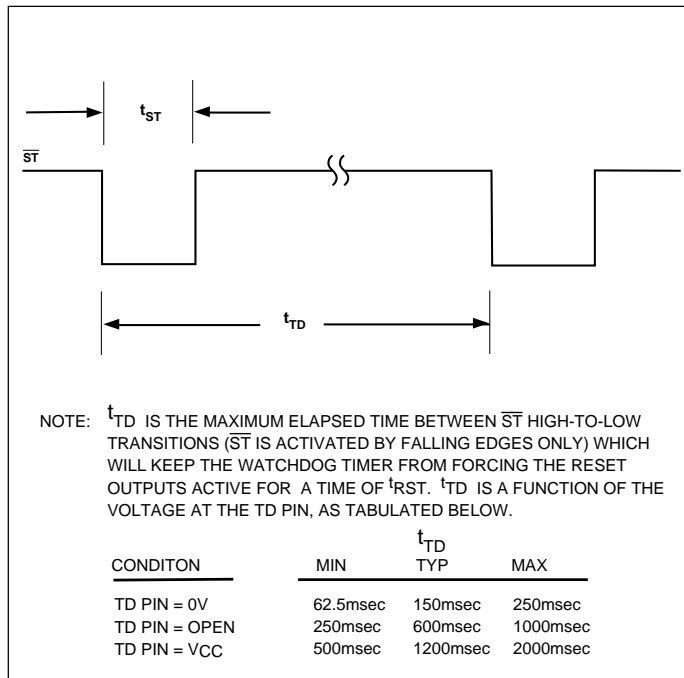


Figure 4. Strobe Input

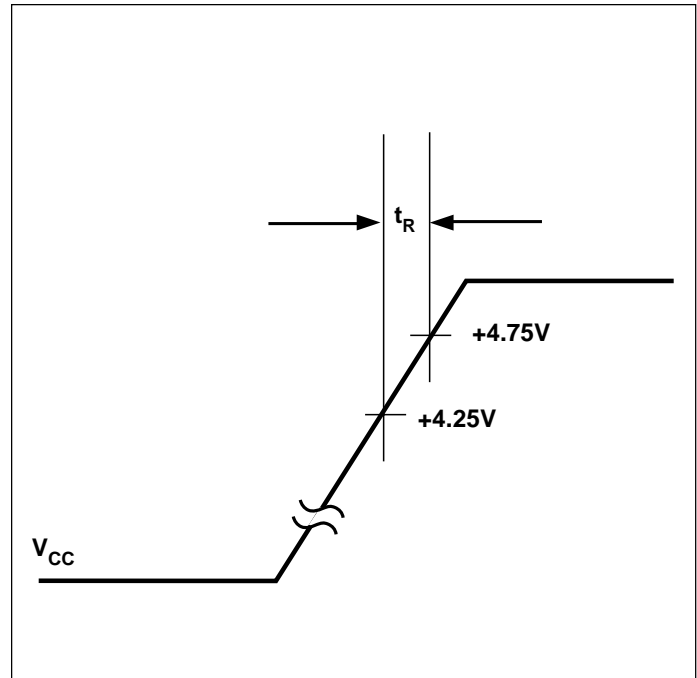


Figure 6. Power-Up Slew Rate

TC1232

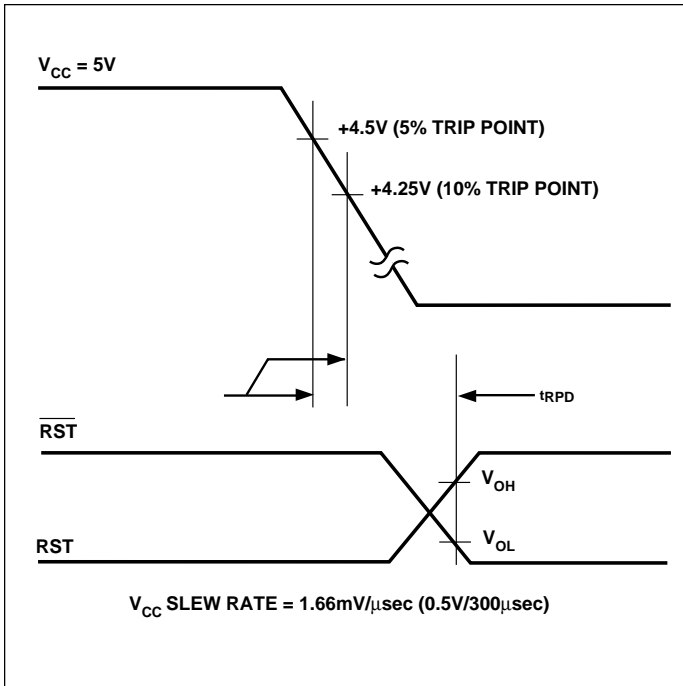


Figure 7. V_{CC} Detect Reset Output Delay (Power-Down)

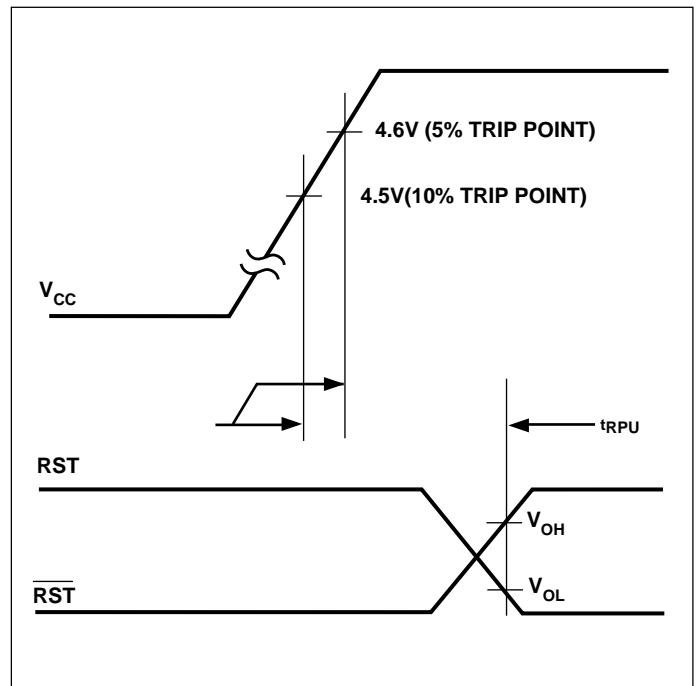
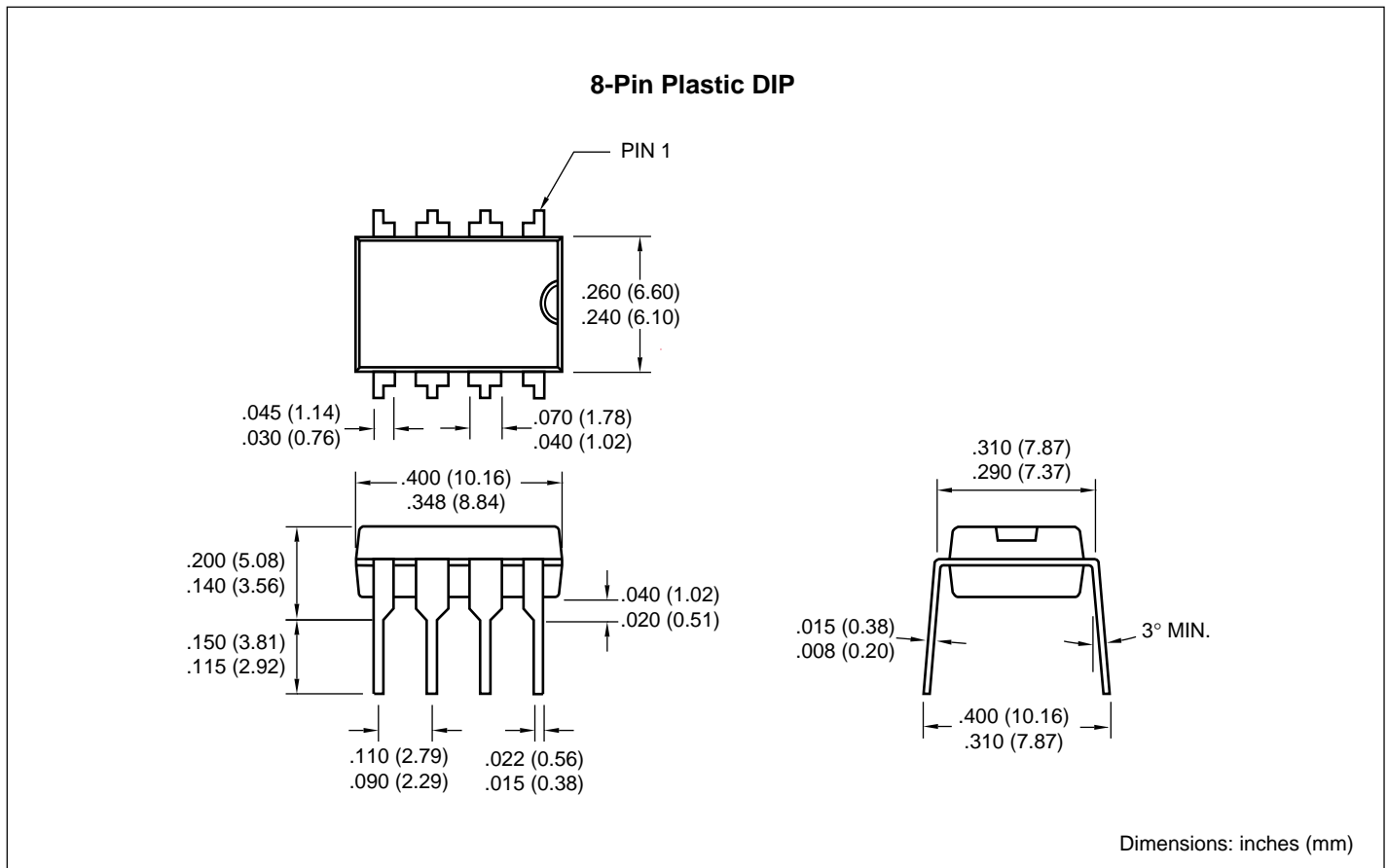


Figure 8. V_{CC} Detect Reset Output Delay (Power-Up)

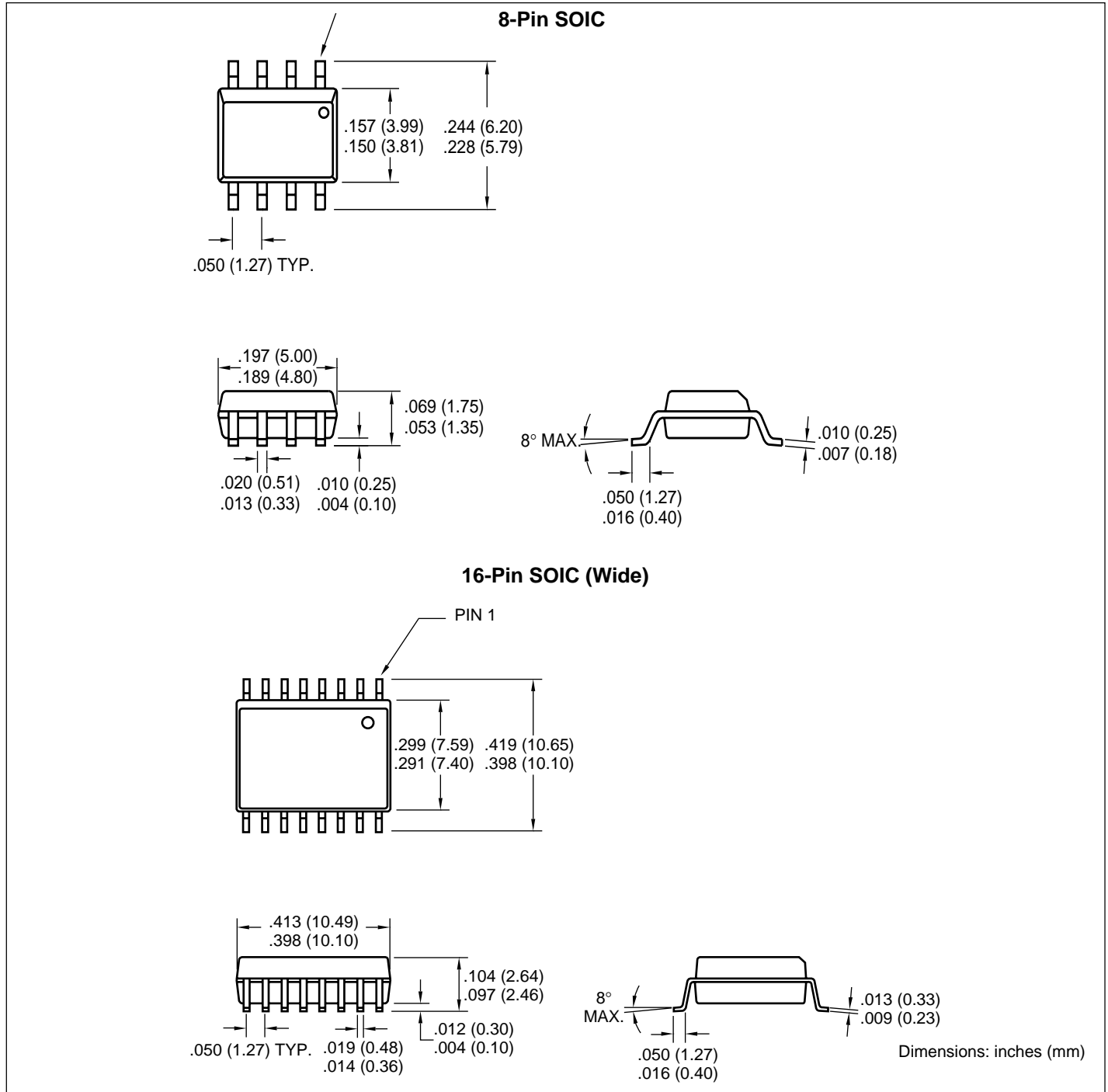
PACKAGE DIMENSIONS



MICROPROCESSOR MONITOR

TC1232

PACKAGE DIMENSIONS (CONT.)





WORLDWIDE SALES AND SERVICE

AMERICAS

Corporate Office

2355 West Chandler Blvd.
Chandler, AZ 85224-6199
Tel: 480-792-7200 Fax: 480-792-7277
Technical Support: 480-792-7627
Web Address: <http://www.microchip.com>

Rocky Mountain

2355 West Chandler Blvd.
Chandler, AZ 85224-6199
Tel: 480-792-7966 Fax: 480-792-7456

Atlanta

500 Sugar Mill Road, Suite 200B
Atlanta, GA 30350
Tel: 770-640-0034 Fax: 770-640-0307

Austin

Analog Product Sales
8303 MoPac Expressway North
Suite A-201
Austin, TX 78759
Tel: 512-345-2030 Fax: 512-345-6085

Boston

2 Lan Drive, Suite 120
Westford, MA 01886
Tel: 978-692-3848 Fax: 978-692-3821

Boston

Analog Product Sales
Unit A-8-1 Millbrook Tarry Condominium
97 Lowell Road
Concord, MA 01742
Tel: 978-371-6400 Fax: 978-371-0050

Chicago

333 Pierce Road, Suite 180
Itasca, IL 60143
Tel: 630-285-0071 Fax: 630-285-0075

Dallas

4570 Westgrove Drive, Suite 160
Addison, TX 75001
Tel: 972-818-7423 Fax: 972-818-2924

Dayton

Two Prestige Place, Suite 130
Miamisburg, OH 45342
Tel: 937-291-1654 Fax: 937-291-9175

Detroit

Tri-Atria Office Building
32255 Northwestern Highway, Suite 190
Farmington Hills, MI 48334
Tel: 248-538-2250 Fax: 248-538-2260

Los Angeles

18201 Von Karman, Suite 1090
Irvine, CA 92612
Tel: 949-263-1888 Fax: 949-263-1338

Mountain View

Analog Product Sales
1300 Terra Bella Avenue
Mountain View, CA 94043-1836
Tel: 650-968-9241 Fax: 650-967-1590

New York

150 Motor Parkway, Suite 202
Hauppauge, NY 11788
Tel: 631-273-5305 Fax: 631-273-5335

San Jose

Microchip Technology Inc.
2107 North First Street, Suite 590
San Jose, CA 95131
Tel: 408-436-7950 Fax: 408-436-7955

Toronto

6285 Northam Drive, Suite 108
Mississauga, Ontario L4V 1X5, Canada
Tel: 905-673-0699 Fax: 905-673-6509

ASIA/PACIFIC

China - Beijing

Microchip Technology Beijing Office
Unit 915
New China Hong Kong Manhattan Bldg.
No. 6 Chaoyangmen Beidajie
Beijing, 100027, No. China
Tel: 86-10-85282100 Fax: 86-10-85282104

China - Shanghai

Microchip Technology Shanghai Office
Room 701, Bldg. B
Far East International Plaza
No. 317 Xian Xia Road
Shanghai, 200051
Tel: 86-21-6275-5700 Fax: 86-21-6275-5060

Hong Kong

Microchip Asia Pacific
RM 2101, Tower 2, Metroplaza
223 Hing Fong Road
Kwai Fong, N.T., Hong Kong
Tel: 852-2401-1200 Fax: 852-2401-3431

India

Microchip Technology Inc.
India Liaison Office
Divyasree Chambers
1 Floor, Wing A (A3/A4)
No. 11, O'Shaughnessy Road
Bangalore, 560 025, India
Tel: 91-80-2290061 Fax: 91-80-2290062

Japan

Microchip Technology Intl. Inc.
Benex S-1 6F
3-18-20, Shinyokohama
Kohoku-Ku, Yokohama-shi
Kanagawa, 222-0033, Japan
Tel: 81-45-471-6166 Fax: 81-45-471-6122

Korea

Microchip Technology Korea
168-1, Youngbo Bldg. 3 Floor
Samsung-Dong, Kangnam-Ku
Seoul, Korea
Tel: 82-2-554-7200 Fax: 82-2-558-5934

ASIA/PACIFIC (continued)

Singapore

Microchip Technology Singapore Pte Ltd.
200 Middle Road
#07-02 Prime Centre
Singapore, 188980
Tel: 65-334-8870 Fax: 65-334-8850

Taiwan

Microchip Technology Taiwan
11F-3, No. 207
Tung Hua North Road
Taipei, 105, Taiwan
Tel: 886-2-2717-7175 Fax: 886-2-2545-0139

EUROPE

Australia

Microchip Technology Australia Pty Ltd
Suite 22, 41 Rawson Street
Epping 2121, NSW
Australia
Tel: 61-2-9868-6733 Fax: 61-2-9868-6755

Denmark

Microchip Technology Denmark ApS
Regus Business Centre
Lautrup høj 1-3
Ballerup DK-2750 Denmark
Tel: 45 4420 9895 Fax: 45 4420 9910

France

Arizona Microchip Technology SARL
Parc d'Activite du Moulin de Massy
43 Rue du Saule Trapu
Batiment A - 1er Etage
91300 Massy, France
Tel: 33-1-69-53-63-20 Fax: 33-1-69-30-90-79

Germany

Arizona Microchip Technology GmbH
Gustav-Heinemann Ring 125
D-81739 Munich, Germany
Tel: 49-89-627-144 0 Fax: 49-89-627-144-44

Germany

Analog Product Sales
Lochamer Strasse 13
D-82152 Martinsried, Germany
Tel: 49-89-895650-0 Fax: 49-89-895650-22

Italy

Arizona Microchip Technology SRL
Centro Direzionale Colleoni
Palazzo Taurus 1 V. Le Colleoni 1
20041 Agrate Brianza
Milan, Italy
Tel: 39-039-65791-1 Fax: 39-039-6899883

United Kingdom

Arizona Microchip Technology Ltd.
505 Eskdale Road
Winnersh Triangle
Wokingham
Berkshire, England RG41 5TU
Tel: 44 118 921 5869 Fax: 44-118 921-5820

All rights reserved. © 2001 Microchip Technology Incorporated. Printed in the USA. 1/01  Printed on recycled paper.

01/09/01

Information contained in this publication regarding device applications and the like is intended through suggestion only and may be superseded by updates. It is your responsibility to ensure that your application meets with your specifications. No representation or warranty is given and no liability is assumed by Microchip Technology Incorporated with respect to the accuracy or use of such information, or infringement of patents or other intellectual property rights arising from such use or otherwise. Use of Microchip's products as critical components in life support systems is not authorized except with express written approval by Microchip. No licenses are conveyed, implicitly or otherwise, except as maybe explicitly expressed herein, under any intellectual property rights. The Microchip logo and name are registered trademarks of Microchip Technology Inc. in the U.S.A. and other countries. All rights reserved. All other trademarks mentioned herein are the property of their respective companies.